

**CE**

**heatmiser**  
Effective Temperature Control

# HEATMISER

## IQ

**EN**

**IT**

**FR**

**DE**

**NL**

# USER INSTRUCTIONS



## INDEX

SUBJECT	PAGE No.
<b>Contents Pages</b> .....	2
<b>Language Option</b> .....	3
<b>Standard Terms</b> .....	3
<b>Normal RUN Mode</b>	
• Override .....	4
• Summer Mode .....	4
• Heater Lockout & Reset .....	4
• Summer Fan .....	5
<b>Program Mode</b>	
• Temperature Setting .....	5
• Data Settings .....	5
• Time Settings.....	6
• Code Setting .....	7
<b>Technical</b>	
• Override (maximum) .....	8
• Optimisation Configuration.....	8
• Code Setting .....	8
• Calibration.....	9
• Reset .....	9
• Service Mode .....	9
• Service Alarm Activated .....	9
• Resetting The Service Alarm.....	10
• Constant Fan.....	10
• Specification/Fuse Rating .....	10
• Wiring Diagrams .....	11

## LANGUAGE OPTION

EN

To select the required language press PROG and enter the code 2305 and press Enter. Then select the required language from the selection.

---

## STANDARD TERMS

**Self Learning Optimisation** is a system whereby the Heatmiser Control will automatically calculate the start-up time to ensure the building is up to temperature for the programmed switching time. It does this by monitoring the internal temperature readings, so that for example, in milder weather conditions heat up times are reduced – thus saving energy.

**Preheat** is the number of hours the control can come on before the programmed switching time (when in optimising mode). This is set under the Engineers code and can be set to no more than 8 hours.

**Rate of change** is the time it takes to raise the building 1.0°C. The factory default for this setting is 20 minutes but the control will automatically adjust this according to the fabric of the building.

**Override:** Using the Override button on the Heatmiser Keypad allows the user to override the zone for a selected number of hours, to allow for unscheduled use of the system. A maximum can be set to stop users entering long override periods.

### **Switching period status:**

- **Day** is when the control is being controlled to an actual switching time. (For example between 07.00 - 08.00 the control would be in a DAY condition. Outside of those hours the control would be in a NIGHT condition).
- **Night** is when no switching times have been programmed. At these times the control is set back to the night temperature.

**Heater Lockout & Reset** is standard on the Heatmiser IQ and allows a signal to be fed into the Heatmiser from the heater when the heater goes to lockout (overheat etc.). Once the fault on the heater has been rectified a reset signal can be sent to the heater resetting lockout status.

**Normal RUN mode** is when the control is operating normally and is not being programmed (i.e. showing the Time/Day or the Info screen). It is important to remember that when any alterations have been made to the Heatmiser's program, the RUN button is pressed to return the control to the RUN mode.

---

## NORMAL MODE

There is one main Normal (RUN) mode screen, and one Info Screen on the Heatmiser IQ. These are explained below:

*The Normal (RUN) mode screen shows information such as Current Time, Current temperature and the relay status.*

MON 13:06 20.0C  
Status: HEAT OFF

*The Information screen shows the target temperature along with the switching period.*

TARGET TEMP: 21.0C  
TIME CLOCK: DAY

To view the Information screen, press INFO and select 1 for Information.

## OVERRIDE

The Heatmiser IQ can be overridden into a day or night condition to allow for any unscheduled operation of the system. The maximum time that the unit can be overridden will have been set by the installer.

### To program an override period

- From the Normal RUN mode  
Press the Override button and enter your security code if required.

Mon 13:06 20.0C  
Time Clock: DAY

- Then choose 1) to enter the override mode.

1 > OVERRIDE MODE  
2 > SUMMER MODE

- Then select either 1 or 2 to override the zone ON(1) or OFF(2).

OVERRIDE TO  
1 > ON or 2 > OFF

- You are now prompted to enter the length of the override period.

OVERRIDE SETTING  
MAXIMUM (04) : 03

- Should the zone be above temperature, the control will show the following screen. Remember that the Override function only overrides time and not temperature. This error message will also appear if the override time programmed exceeds the maximum override setting

\*\* WARNING \*\*  
INVALID DATA

- The status screen then indicates the zone has been put into an override condition.

Mon 13:06 20.0C  
Status: OVERRIDE



To cancel an override period repeat the steps above, choosing 2 for OFF and then reduce the length of the override period to 00.

## SUMMER MODE

To enable the Summer mode facility press the Override/Summer button and select 2 for Summer.

1 > **OVERRIDE MODE**  
2 > SUMMER MODE

The control is then put in to Summer mode, which means that the temperature is controlled to the Night Setback setting.

To cancel repeat the above operation.

## HEATER LOCKOUT/RESET

A supply can be wired into the Heatmiser from the heater lockout connection allowing for remote indication of a fault. Once the fault has been rectified on the Heater, pressing RESET on the keypad sends a reset signal to the heater to clear the lockout status.

This feature is highly beneficial on heaters installed out of reach.

## HEATER RESET

*(No Lockout Indication)*

On heaters where there is no heater lockout, the Heatmiser can be used to send a reset signal.

To send a Reset signal in this case:

Press the Reset button.

Press 2 for Reset.

1 > INFORMATION  
2 > LOCKOUT RESET

The Reset relay will be energised for a second.

## MANUAL SUMMER FAN



Providing the installed heaters are equipped with a summer fan facility, the Heatmiser can enable the fan to give ventilation in summer months.

- Pressing the FAN key displays the following screen.

FAN ON?  
ENTER TO CONFIRM

- At this point you must press ENTER or if you wish to abort this operation press the DELETE key.

! To disable the fan, repeat the above operation.

## PROGRAM MODE

From the Normal (RUN) mode screen, pressing the PROG button will display the following screen:

\*\* WARNING \*\*  
ENTRY CODE: ????

Before you can access the Heatmiser you must enter the passcode. This passcode is set to 0000 as a factory default but may be changed at any time by the user to ensure security. This process is explained under section 4 (Code).

### 1) TEMP

This section is used to change the temperature settings.

This is the DATA menu

1 > TEMP      2 > DATA  
3 > TIME      4 > CODE

Pressing 1 for TEMP displays the following screen:

- You are now prompted to enter the required temperature for the DAY periods. (EG - 22.0). This must be entered as three digits.

SET DAY PERIOD  
TEMP: **22.0 C**

- When complete, press Enter.

- You are now able to select whether you require Frost Protection. Selecting OFF returns you to the DATA menu.

FROST PROTECTION  
1 > ON OR 2 > OFF

- Selecting ON enables you to select a NIGHT setback temperature.

SET NIGHT PERIOD  
TEMP: 05.0 C

- Press Enter when you have set the required night temperature, and then press RUN to return to the Normal RUN Mode.

### 2) DATA

The DATA section is where you are able to set the daily switching periods. There are 3 periods per day available.

- Press PROG and enter the security code.
- Now select 2 to enter the DATA menu.

1) TEMP      **2) DATA**  
3) TIME      4) CODE

You can see on screen now that we are prompted to enter the switching period 1 for Monday. So, using 24 clock notation, enter the required Start Time. (EG 08:00).

MON PERIOD : 1  
**S:HH:MM** E:HH:MM

Now Press Enter to accept the Start Time and to move the cursor to the End Time setting.

We are able to program the required End Time, for example 17:00. Don't forget to use 24 hour clock notation. When complete, press Enter to accept the programmed switching time and to move onto Period 2 Monday.

MON PERIOD : 1  
S:HH:MM E:HH:MM

### Programming further periods

You are now able to program Period 2 Monday in just the same way. Press Enter when complete.

MON PERIOD : 2  
1) S:21:00 E:23:00

Should you not require all three switching periods – simply leave the times at HH:MM and this period will be ignored.

MON PERIOD : 3  
1) S:HH:MM E:HH:MM

At this point Press the Enter key to move onto Tuesday's switching periods.

You are able to enter the switching periods for Tuesday in just the same way.

TUE PERIOD : 1  
1) S:HH:MM E:HH:MM

Should the switching periods be the same on Tuesday, you can press the COPY button and this copies all of the switching times from the previous day. So, for example, if you were to press the COPY button on Tuesday period 1 all of the switching times from Monday would be copied, and then the Heatmiser would move onto Wednesday.

A screen is displayed similar to this . . . :

COPYING ALL DATA  
MON TO TUE

**!** To correct any mistakes made, use the DEL key. If Enter is pressed at any display then the current settings will be retained.

## 3) TIME

This is the section used to set the current Time & Day.

- Press PROG and enter security code.
- Then select option 3 for Time.
- The time currently set is displayed on screen along with a prompt asking for the new time. Simply enter the new time remembering to use 24 hour clock notation. (EG: 14.23)
- As the Heatmiser IQ does not have a calendar, the current day must now be set. So for example, if today is Wednesday press 3.
- The control will then return to the DATA menu.
- Press RUN to return to the Normal RUN mode, you will now notice the correct time and day has been set.

TIME NOW: 13:23  
NEW TIME: HH:MM

SET DAY OF THE WEEK  
1 = MON = > 7 = SUN

### 4) CODE

- Press Prog and enter security code.
- Pressing 4 for Code prompts you to select the code you wish to alter.

1 > Manager Code - This code gives access to all data settings.  
2 > Override Code - This code gives access to the Override and Summer functions.

1 > MANAGER CODE  
2 > OPERATORS CODE

- To change the code, simply enter the new code when prompted.

CODE NOW: 0000  
NEW CODE ????

- Press Run to return to the Normal RUN mode.

**!** Setting the Manager and Operations code to the same disables the Operators code.  
(i.e. No code is required to access the operators section)

To enter the engineers section, press the program button and enter the Engineers Code. (This will be found on a label stuck to the fascia or on the reverse side of the keypad. This label should be removed after the control has been commissioned.

A display like the one shown will now be displayed.

1 > OVERRUN	2 > OPT 1
3 > CODE	4 > SETUP

### 1) OVER

This section allows us to enter a limit for the override.

OVERRIDE SETTING MAXIMUM TIME: 08
--------------------------------------

Enter two digits (eg 08, for 8 hours) and then press enter to accept the setting.

### 2) OPTI

With the Heatmiser IQ you are able to set whether optimisation is required. (Refer to Terms for further information).

Should you require optimisation select 1 for ON and then continue to set the following parameters.

OPTIMISATION? 1 > ON or 2 > OFF
------------------------------------

Selecting OFF returns you to the Setup Menu and turns off optimisation. This means that the control will switch the heating ON at the programmed switching time and will not allow for any warm up period.

This is the amount of time the heating system takes to raise the building temperature by 1.0°C. An average starting point would be 20 minutes but because the unit is self learning, it will alter itself by 1 minute per day to adjust itself to the correct setting.

RATE OF CHANGE MINUTES /C :20
----------------------------------

This is the maximum number of hours before the entered switching time that the unit could come on to raise the building up to the temperature. The maximum setting is 8 hours but an average setting is 3 hours.

SET PRE HEAT MAXIMUM TIME :03
----------------------------------

### 3) CODE

The code section will work as normal and is used to set the User's code.

### 4) SET UP

This section allows us to set the service mode, calibrate the sensors, reset the system to factory defaults and enable or disable the constant fan facility.

1 > CAL	2 > RESET
3 > SERVICE	4 > C.FAN



## CALIBRATION

Selecting 1 for calibration enables the engineer to calibrate the sensor if required.

- To calibrate the sensor, simply enter the actual temperature you have recorded in the zone. Be sure to take the temperature from next to the Heatmiser control.
- Press RUN to return to the Normal Run Mode
- The temperature will then be displayed on the screen.

CURRENT: 22.0  
ACTUAL: XX.X

---

## RESET

This function resets the Heatmiser IQ's settings back to the factory defaults.

To put the control through a reset:

- Press 4 for Setup
- Press 2 for Reset
- Pressing ENTER at this point will erase all data. To abort press the DELETE key.

1 > CAL      2 > RESET  
3 > SERVICE 4 > C.FAN

RESET ALL DATA  
ENTER TO CONFIRM

---

## SERVICE MODE

- Enter the Engineers code and press 3 for service.
- You are now prompted to:  
1 > Configure the service mode or  
2 > Reset the current hours run total held in the unit.
- Pressing 1 to configure the unit will display the following screen and will ask you to turn the service mode On or Off.
- You are now required to enter the number of hours the system may run before the Service Alarm should be activated. Press Enter to accept the programmed setting.
- You should now enter the full phone number that you want displayed when a Service Alarm is activated.

1 > CAL      2 > RESET  
3 > SERVICE 4 > C.FAN

1 > CONFIGURATION  
2 > RESET DATA

SERVICE MODE  
1 > ON or 2 > OFF

SERVICE MODE  
HOURS RUN: 0000

SERVICE MODE  
CALL: 000000000

---

## SERVICE ALARM ACTIVATED.

When a Service Alarm has been activated a warning screen will be displayed for 5 seconds every minute. You are able to cancel this warning by pressing RESET whilst the warning display is on screen.

Remember that you will not receive further Service Alarms until the control has been reset by an engineer.

## RESETTING THE SERVICE ALARM

After a service alarm has been activated you are able to reset the hours setting without the need to reprogram the telephone number by selecting Reset from the Configuration/Reset screen.

---

### CONSTANT FAN

On the Heatmiser IQ there is an option to have a Constant Fan output. If enabled the Fan Relay will be permanently ON during the programmed switching times and will operate to the optimiser setting.

- To enable the constant fan enter the Engineers code and press 4 for setup.
- Then press 4 for C.FAN and select 1 for ON. This will enable the constant fan facility.
- Select 2 to disable this feature.

1 > CAL	2 > RESET
3 > SERVICE	4 > C.FAN

CONSTANT FAN	
1 > ON	OR 2 > OFF

---

### SPECIFICATION

<b>Zones:</b>	1 Control Zone
<b>Time-bases:</b>	1 Time-base can be programmed with a maximum of 3 switching periods per day, 7 days a week.
<b>Outputs:</b>	IQ = 3 Single pole normally open contact (10 amp 230v AC Resistive)
<b>Sensor Type:</b>	Built in sensor only
<b>Battery Backup:</b>	3 Years
Supply:	230v $\pm$ 10% 50Hz
Relay Output:	Normally open contacts maximum rating 230v AC 10 Amp Resistive
Dimensions:	158mm x 62mm x 199mm
Weight:	0.85kg
Enclosure:	ABS Designed to comply with IEE regulations

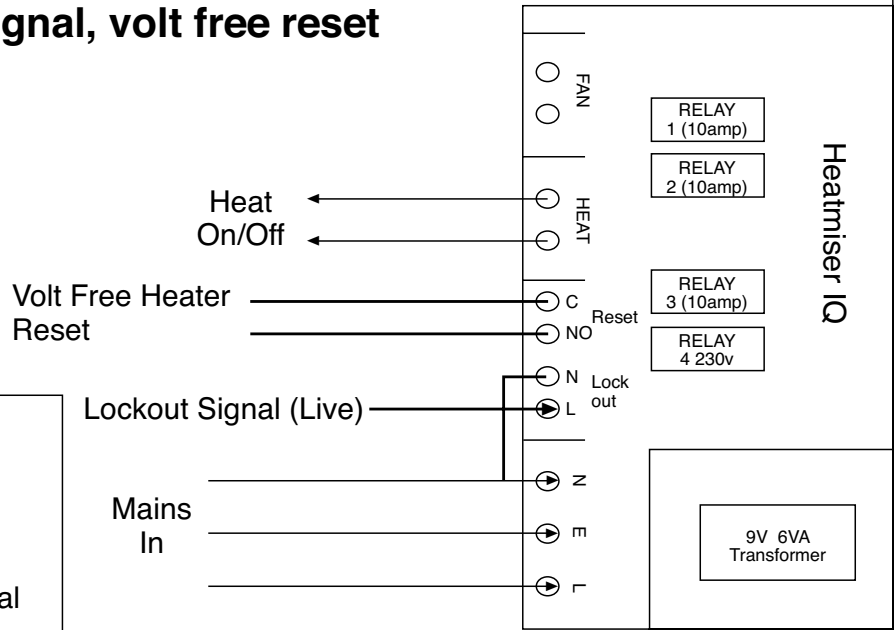
---

### FUSE RATING

F1 = 800ma AS  
F2 = 500ma QB

## Heatmiser IQ

### Option 1. Live lockout signal, volt free reset



#### Options Available

1. Live Lockout signal giving a volt-free reset.
2. Live Lockout signal giving a live reset.
3. Live Lockout signal giving a neutral reset.
4. Neutral Lockout signal giving a volt-free reset.
5. Neutral Lockout signal giving a live reset.
6. Neutral Lockout signal giving a neutral reset.

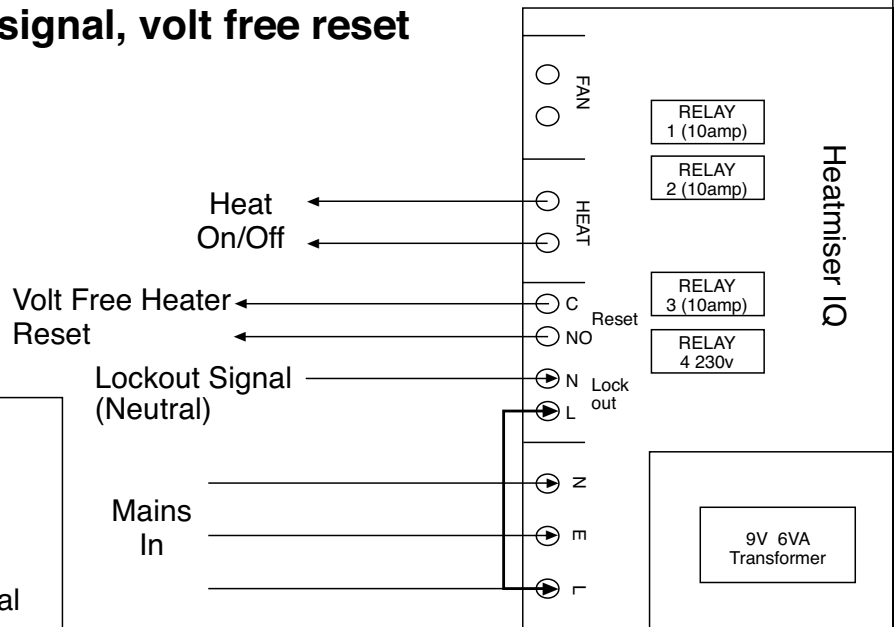
HEATMISER CONTROLS - HEATMISER IQ

2000L - VF wiring diagram

Drawing No.  
E2L-003

## Heatmiser IQ

### Option 4. Neutral lockout signal, volt free reset



#### Options Available

1. Live Lockout signal giving a volt-free reset.
2. Live Lockout signal giving a live reset.
3. Live Lockout signal giving a neutral reset.
4. Neutral Lockout signal giving a volt-free reset.
5. Neutral Lockout signal giving a live reset.
6. Neutral Lockout signal giving a neutral reset.

HEATMISER CONTROLS - HEATMISER IQ

2000L - VF wiring diagram

Drawing No.  
E2L-003



# ISTRUZIONI PER L'USO



## INDICE

ARGOMENTO	N. PAG.
<b>Indice</b> .....	13
<b>Scelta della lingua</b> .....	14
<b>Terminologia standard</b> .....	14
<b>Modalità di funzionamento (RUN) normale</b>	
• Override (Intervento manuale) .....	15
• Modalità Estate .....	15
• Blocco e resettaggio del riscaldatore .....	16
• Ventilazione estiva .....	16
<b>Modalità programma</b>	
• Impostazione della temperatura.....	16
• Impostazione dei dati .....	17
• Impostazione dell'ora e del giorno.....	18
• Impostazione del codice .....	18
<b>Dati tecnici</b>	
• Override (valore massimo).....	19
• Configurazione di ottimizzazione .....	19
• Impostazione del codice .....	19
• Taratura .....	20
• Resettaggio .....	20
• Modalità manutenzione .....	20
• Allarme di richiesta intervento attivato.....	20
• Resettaggio dell'allarme di richiesta intervento .....	21
• Ventilazione costante .....	21
• Caratteristiche tecniche/Taratura dei fusibili .....	21
• Schemi circuitali .....	22

Per scegliere la lingua desiderata, premere il tasto PROG, digitare il codice 2305 e premere il tasto di invio. Poi scegliere la lingua desiderata dall'elenco.

---

### TERMINOLOGIA STANDARD

**L'ottimizzazione ad autoapprendimento** è un sistema con il quale il regolatore Heatmiser calcola automaticamente l'ora di avvio per fare in modo che il fabbricato sia alla temperatura voluta all'ora programmata. Questa operazione viene eseguita monitorando i valori di lettura della temperatura interna in modo tale che, ad esempio, in condizioni atmosferiche più miti i tempi di riscaldamento vengano ridotti – effettuando così un buon risparmio energetico.

**Preriscaldamento** è il numero di ore per cui il regolatore può entrare in funzione prima del tempo di accensione programmato (quando si trova in modalità di ottimizzazione). Questo valore viene fissato per mezzo del codice Tecnico e non può superare le 8 ore.

**Velocità di cambiamento** è il tempo che occorre per aumentare di 1.0°C la temperatura del fabbricato. Il valore preimpostato in fabbrica è 20 minuti, ma il regolatore lo varia automaticamente in funzione della struttura del fabbricato.

**Override (Intervento manuale):** Il tasto Override sulla tastierina Heatmiser serve all'utente per escludere la zona prescelta per il numero di ore desiderato ed utilizzare l'impianto senza programmazione. Si può fissare un tempo massimo per impedire agli utenti di impostare lunghi periodi di esclusione manuale.

#### **Periodi di accensione:**

- **Giorno** significa che sul regolatore viene impostata un'ora effettiva di accensione. (Ad esempio, tra le 7 e le 8 di mattina il regolatore sarebbe nella condizione GIORNO. Al di fuori di queste ore il regolatore sarebbe nella condizione NOTTE).
- **Notte** significa che non sono state programmate ore specifiche di accensione. Durante questi periodi il regolatore è impostato sulla temperatura notturna.

Sul modello Heatmiser IQ è di serie la funzione di **Blocco e resettaggio del riscaldatore**, che consente al riscaldatore di inviare un segnale all'Heatmiser quando si blocca (in occasione di un surriscaldamento, ecc.). Una volta rettificato il guasto sul riscaldatore, si può inviare a quest'ultimo un segnale di resettaggio annullando la condizione di blocco.

**Modalità di funzionamento normale** significa che il regolatore funziona normalmente e non è programmato (vale a dire visualizza Ora e Giorno sullo schermo Informazioni). È importante ricordare che quando si sono apportate modifiche al programma dell'Heatmiser, occorre premere il tasto RUN per tornare alla modalità di funzionamento normale.

---

## MODALITÀ NORMALE

L'Heatmiser IQ è dotato di uno schermo principale di modalità di funzionamento (RUN) Normale e di uno schermo Informazioni, spiegati in dettaglio qui di seguito:

**Lo schermo di modalità di funzionamento (RUN) Normale**  
*visualizza informazioni come Ora e Temperatura attuali e la condizione del relè.*

LUN 13:06 20.0C  
Stato: RISC. OFF

**Lo schermo Informazioni**  
*indica la temperatura che si vuole raggiungere ed il periodo di accensione.*

TEMP TARGET: 21.0C  
OROLOGIO: GIORN

Per visualizzare la schermata Informazioni premere INFO e selezionare 1 per Informazioni

## OVERRIDE (INTERVENTO MANUALE)

Sull'Heatmiser IQ si può operare una sovrapposizione manuale nella condizione giorno o notte per consentire il funzionamento dell'impianto senza programmazione. La durata di tempo massima d'intervento manuale sull'apparecchio deve essere impostata dall'installatore.

### **Per programmare un periodo di sovrapposizione manuale**

- Dalla modalità di funzionamento (RUN) Normale Premere il tasto Override e digitare il codice di sicurezza, se necessario.
- Poi premere 1) per accedere alla modalità di Override (Sovrapposizione manuale).
- Poi selezionare 1 o 2 per eseguire una sovrapposizione manuale sulla zona prescelta: ON (1) oppure OFF (2).
- Adesso occorre inserire la durata del periodo di sovrapposizione manuale.
- Se la zona prescelta dovesse essere ad una temperatura superiore sullo schermo apparirà la dicitura che segue. Ricordare che con la funzione Override si sovrappone manualmente il tempo e non la temperatura. Questo messaggio di errore appare anche se il tempo programmato di sovrapposizione manuale supera il valore massimo d'impostazione.
- A questo punto lo schermo di stato indica che la zona in questione è stata messa in una condizione di sovrapposizione manuale.

Lun 13:06 20.0C  
Orologio: GIORN

1 > **MODO OVERRIDE**  
2 > MODO ESTATE

OVERRIDE SU  
1 > ON o 2 > OFF

IMPOST. OVERRIDE  
MASSIMO (04) : **03**

**\*\*ATTENZIONE \*\***  
DATI NON VALIDI

Lun 13:06 20.0C  
Stato: OVERRIDE

- ! Per cancellare un periodo di sovrapposizione manuale ripetere le operazioni appena descritte, scegliendo 2 per disattivare (OFF) e ridurre poi a 00 la durata del periodo di override.

## MODALITÀ ESTIVA

Per attivare il programma Estivo, premere il tasto Override/Estate e la posizione 2 per selezionare Estate.

1 > **MODO OVERRIDE**  
2 > MODO ESTATE

In questo modo si porta il regolatore nella modalità operativa Estate, il che significa che la temperatura viene regolata sui valori impostati per la Notte.

Per cancellare, ripetere l'operazione appena descritta.

## BLOCCO E RESETTAGGIO DEL RISCALDATORE

IT

All Heatmiser si pu collegare un cavo dalla connessione di blocco del riscaldatore, in modo da avere un indicazione a distanza di un guasto. Una volta rettificato il guasto sul riscaldatore, premendo RESET sulla tastiera si invia a quest'ultimo un segnale di resettaggio per annullare la condizione di blocco.

Questa funzione presenta notevoli vantaggi nel caso di riscaldatori installati in posizioni difficili da raggiungere.

### RESETTAGGIO RISCALDATORE (Senza indicazione di blocco)

Per i riscaldatori senza blocco a distanza, si pu usare l Heatmiser per inviare un segnale di resettaggio a distanza.

Per inviare un resettaggio in questo caso.

Premere il pulsante RESET.

Premere 2 per RESET.

Il relé del resettaggio si attiver per un secondo.

1 > INFORMAZIONI  
2 > RESET BLOCCO

### VENTILAZIONE ESTIVA MANUALE

Purché i riscaldatori installati siano muniti di ventilazione estiva, l'Heatmiser può attivare la ventola nei mesi estivi.

- Premendo il tasto FAN (VENTILATORE) sullo schermo appare la dicitura che segue.
- A questo punto occorre premere il tasto di INVIO o, se lo si desidera, si può interrompere l'esecuzione di questa operazione premendo il tasto DELETE (ELIMINA).

VENTOLA ON  
INVIA CONFERMA



Per disattivare la ventola, ripetere l'operazione appena descritta.

### MODALITÀ PROGRAMMA

Dallo schermo di funzionamento (RUN) Normale, premendo il tasto PROG sullo schermo appare la dicitura che segue:

\*\* ATTENZIONE \*\*  
INSER.COD.: ????

Per poter accedere all'Heatmiser occorre anzitutto inserire l'opportuno codice. Questo codice è impostato su 0000 in fabbrica, ma l'utente lo può cambiare in qualsiasi momento per avere la massima garanzia di sicurezza. Questo procedimento viene spiegato al paragrafo 4 (Codice).

#### 1) TEMPERATURA

Questa sezione serve a cambiare i valori d'impostazione della temperatura.

Questo È il menu dei DATI

1 > TEMP      2 > DATI  
3 > ORA      4 > COD.

Premendo 1 per avere la TEMPERATURA sullo schermo appare la dicitura che segue.

- Adesso occorre inserire la temperatura richiesta per il GIORNO. (Esempio: 22.0). Questa temperatura deve essere inserita utilizzando tre cifre.

IMPOSTA GIORNO  
TEMP: **22.0 C**

- Una volta completato, premere il tasto d'invio (Enter).
- A questo punto si può scegliere di avere la funzione di Protezione dal Gelo. Selezionando OFF si viene ricondotti al menu dei DATI.
- Selezionando ON si può scegliere un valore di temperatura impostato per la NOTTE.

PROTEZIONE GELO  
1 > ON O 2 > OFF

IMPOSTA NOTTE  
TEMP: 04.0 C

- Quando si è impostata la temperatura desiderata per la notte, premere il tasto di invio e successivamente il tasto RUN per tornare alla modalità di funzionamento normale.



## 2) DATI



La sezione DATI è quella in cui si possono impostare i periodi di accensione quotidiani. Sono disponibili 3 periodi di accensione al giorno.

- Premere il tasto PROG e digitare il codice di sicurezza.
- Poi premere 2 per inserirsi nel menu dei DATI.

1) TEMP    **2) DATI**  
3) ORA    4) COD.

A questo punto si può vedere sullo schermo che occorre impostare il periodo di accensione 1 per il lunedì. Utilizzando l'orologio di 24 ore, digitare l'Ora di Inizio desiderata. (Esempio: 08:00).

LUN PERIODO : 01  
I:HH:MM A:HH:MM

Adesso premere il tasto di invio per accettare l'Ora di Inizio e per spostare il cursore sull'impostazione dell'Ora di Arresto.

Si può programmare l'Ora di Arresto desiderata, ad esempio le 17:00. Non dimenticare di usare l'orologio di 24 ore. Una volta ultimato, premere il tasto di invio per accettare il periodo di accensione programmato e per spostarsi sul Periodo 2 di lunedì.

LUN PERIODO: 01  
I:HH:MM A:HH:MM

### **Per programmare altri periodi**

A questo punto si può programmare il Periodo 2 di lunedì esattamente allo stesso modo. Una volta completato, premere il tasto d'invio (Enter).

LUN PERIODO: 02  
1) I:21:00 A:23:00

Se non occorrono tutti e tre i periodi di accensione, basta lasciare l'indicazione delle ore su HH:MM e questo periodo verrà ignorato.

LUN PERIOD : 3  
1) I:HH:MM A:HH:MM

A questo punto premere il tasto di invio per spostarsi sui periodi di accensione del martedì.

Si possono programmare i periodi di accensione del martedì esattamente allo stesso modo.

MAR PERIODO: 01  
1) I:HH:MM A:HH:MM

Se i periodi di accensione dovessero essere identici per il martedì, si può premere il tasto COPY che provvederà a copiare tutti i tempi di accensione del giorno precedente. Così, ad esempio, se si dovesse premere il tasto COPY sul Periodo 1 del martedì, verrebbero copiati tutti i tempi di accensione del lunedì, e il programma dell'Heatmiser si sposterebbe sul mercoledì.

Sullo schermo appare una dicitura simile a questa . . . :

COPIA OGNI DATO  
DA to MAR

**!** Per correggere eventuali errori commessi, usare il tasto CANC. Se in qualsiasi momento si preme il tasto d'invio, vengono conservati i dati d'impostazione correnti.

### 3) ORA E GIORNO

Questa è la sezione che serve a impostare l'Ora e il Giorno attuali.

- Premere il tasto PROG e digitare il codice di sicurezza.
- Poi selezionare 3 per inserire l'Ora.
- Sullo schermo appare l'ora attualmente impostata assieme alla richiesta dell'ora nuova. Inserire l'ora nuova ricordandosi di usare l'orologio di 24 ore. (Esempio: 14.23)
- Poiché l'Heatmiser IQ non ha un calendario, occorre impostare il **giorno** in corso. Così, ad esempio, se oggi è mercoledì **premere 3**.
- Il regolatore ritornerà poi al menu dei DATI.
- Premere il tasto RUN per tornare alla modalità di funzionamento normale. Notare che sono stati impostati l'ora e il giorno esatti.

ORA ATT.: 13:23  
NUOVA : **HH:MM**

IMPOSTA GIORNO  
1 = LUN = > **7 = DOM**

### 4) CODICE

- Premere il tasto PROG e digitare il codice di sicurezza.
- Se si preme 4 per inserire il Codice, viene richiesto di selezionare il codice che si desidera modificare.

1 > Codice Manager - Questo codice permette di accedere a tutti i valori d'impostazione.

2 > Codice Operatore - Questo codice permette di accedere alle funzioni Override ed Estate.

- Per cambiare il codice, basta digitare il nuovo codice quando viene richiesto.
- Premere RUN per tornare alla modalità di funzionamento normale.

1 > COD. MANAGER  
2 > COD. OPERATORE

COD. CORR.: 0000  
NUOVO COD.: ????

! Impostando il codice Manager e quello Operatore sullo stesso valore si disabilita il codice Operatore. (vale a dire, per accedere alla sezione Operatore non occorre codice)

Per immettersi nella sezione tecnica, premere il tasto del programma e digitare il Codice Tecnico. (Questo codice si trova su un'etichetta affissa sul pannello frontale o sul retro della tastierina. L'etichetta deve essere rimossa dopo che il regolatore è stato messo in esercizio).

A questo punto sullo schermo appare una dicitura come quella qui illustrata.

1 > OVER 2 > OTTI  
3 > COD. 4 > SETUP

### 1) OVER

Questa sezione consente di impostare un limite per la sovrapposizione manuale.

IMPOST. OVERRIDE  
TEMPO MAX: 08

Digitare due cifre (es. 08 per 8 ore) e premere il tasto di invio per accettare questo valore.

### 2) OTTI

Con l'Heatmiser IQ è possibile decidere se si vuole l'ottimizzazione. (Per ulteriori informazioni vedere il paragrafo **Terminologia**).

Se si desidera l'ottimizzazione selezionare 1 per ottenere ON e continuare poi a impostare i parametri che seguono.

OTTIMIZZAZIONE?  
1 > ON o 2 > OFF

Selezionando OFF si viene ricondotti al menu di Configurazione e l'ottimizzazione viene disattivata. Questo significa che il regolatore accenderà il riscaldamento all'ora programmata e non consente alcun periodo di preriscaldamento.

Questo è il tempo che occorre per aumentare di 1.0°C la temperatura del fabbricato. Un valore medio di questo tempo è 20 minuti ma, poiché l'apparecchio è ad autoapprendimento, modifica questo parametro di 1 minuto al giorno per portarsi al valore corretto.

VELOC. CAMBIAM.  
MINUTI /°C :20

Questo è il numero massimo di ore prima dell'ora di accensione programmata, per cui l'apparecchio potrebbe entrare in funzione per portare il fabbricato alla temperatura voluta. Il valore massimo è di 8 ore, ma un valore medio è in genere di 3 ore.

IMP. PRERISCALD.  
MASSIMO (ORE) :03

### 3) CODICE

La sezione del codice funziona come di consueto e serve ad impostare il codice Utente.

### 4) CONFIGURAZIONE

Questa sezione consente di tarare il sensore e di ripristinare il regolatore sui valori preimpostati in fabbrica

1 > TARAT 2 > RESET  
3 > MANUT 4 > VENT

## TARATURA

Con il tasto 1 il tecnico è in grado di tarare il sensore, se necessario.

- Per questa operazione, basta immettere la temperatura effettiva registrata nella zona in questione. Accertarsi di rilevare la temperatura vicino al regolatore Heatmiser.
- Premere RUN per tornare alla modalità di funzionamento normale
- Sullo schermo viene visualizzata la temperatura.

ATTUALE: 22.0  
EFFETT.: XX.X

## RESETTAGGIO

Questa funziona ripristina i parametri dell'Heatmiser IQ sui valori preimpostati in fabbrica.

- Per questa operazione, premere il tasto PROG e inserire il Codice Tecnico.
- Poi selezionare 4 per consentire la Configurazione, e a questo punto sullo schermo appare la scritta:
- Premere 2 per Reset
- A questo punto, se si preme il tasto di invio, si cancellano tutti i dati. Per interrompere l'esecuzione di questa operazione premere il tasto CANCELLA.

1 > TARAT    2 > RESET  
3 > MANUT    4 > VENT

RESET DATI?  
INVIA CONFERMA

## MODALITÀ MANUTENZIONE

- Digitare il codice tecnico e premere 3 per portarsi in modalità manutenzione.
- A questo punto all'operatore viene chiesto di:  
1 > Configurare la modalità di manutenzione, oppure  
2 > Azzerare il numero di ore complessive di funzionamento memorizzate nell'apparecchio.
- Premendo 1 per configurare l'apparecchio, sullo schermo appare la dicitura che segue, con la possibilità di scegliere tra l'attivazione (On) o la disattivazione (Off) della modalità di Manutenzione.
- A questo punto viene chiesto di inserire il numero di ore per cui il sistema può girare prima che venga attivato l'allarme che richiede un intervento di manutenzione. Premere il tasto di invio per accettare il valore programmato.
- Adesso occorre digitare il numero telefonico completo che si desidera visualizzare quando viene attivato l'allarme di richiesta di intervento.

1 > TARAT    2 > RESET  
3 > MANUT    4 > VENT

1 > CONFIGURAZIONE  
2 > RESET DATI

MOD. MANUTENZ.  
1 > ON o 2 > OFF

MOD. MANUTENZ.  
ORE FUNZ.: 0000

MOD. MANUTENZ.  
TEL.: 000000000

## ALLARME DI RICHIESTA INTERVENTO ATTIVATO.

Quando è stato attivato un allarme di richiesta intervento, per 5 secondi ogni minuto viene visualizzato uno schermo di avvertimento. Si può cancellare questo avvertimento premendo il tasto RESET mentre l'avvertimento è ancora sullo schermo.

Da ricordare che non si riceveranno altri allarmi di questo tipo sino a quando il comando non è stato resettato da un tecnico.

Dopo che è stato attivato un allarme di richiesta intervento, si può azzerare il numero di ore senza dover riprogrammare il numero telefonico selezionando Reset sullo schermo di Configurazione/Resettaggio.

### VENTILAZIONE COSTANTE

Sul modello Heatmiser IQ esiste la possibilità di avere una Ventilazione Costante. Se è attivato, il relè della ventola sarà permanentemente in posizione ON durante i periodi di accensione programmata e funzionerà secondo i valori impostati dall'ottimizzatore.

- Per attivare la ventilazione costante digitare il codice tecnico e premere 4 per portarsi in modalità di configurazione.

1 > TARAT	2 > RESET
3 > MANUT	4 > VENT

- Poi premere 4 per avere VENTIL. CONTINUA e selezionare 1 (ON). Questo attiverà la ventilazione continua.

VENTIL. CONTINUA?	
1 > ON	o 2 > OFF

- Selezionare 2 per disattivare questa funzione.

### CARATTERISTICHE TECNICHE

**Zone:** 1 zona di regolazione

**Base tempi:** Si può programmare una base tempi con un massimo di 3 periodi di accensione al giorno, 7 giorni alla settimana.

**Uscite:** IQ = 3 unipolari a contatto normalmente aperto (10 amp 230 V c.a. resistivo)

**Tipo di sensore:** Solo sensore incorporato

**Batteria di soccorso:** durata 3 anni

Alimentazione: 230 V  $\pm$  10% 50Hz

Uscita a relè: Contatti normalmente aperti 230 V c.a. 10 amp nominali resistivi

Dimensioni: 158 mm x 62 mm x 199 mm

Peso: 0,85 kg

Contenitore: ABS studiato per soddisfare le norme IEE

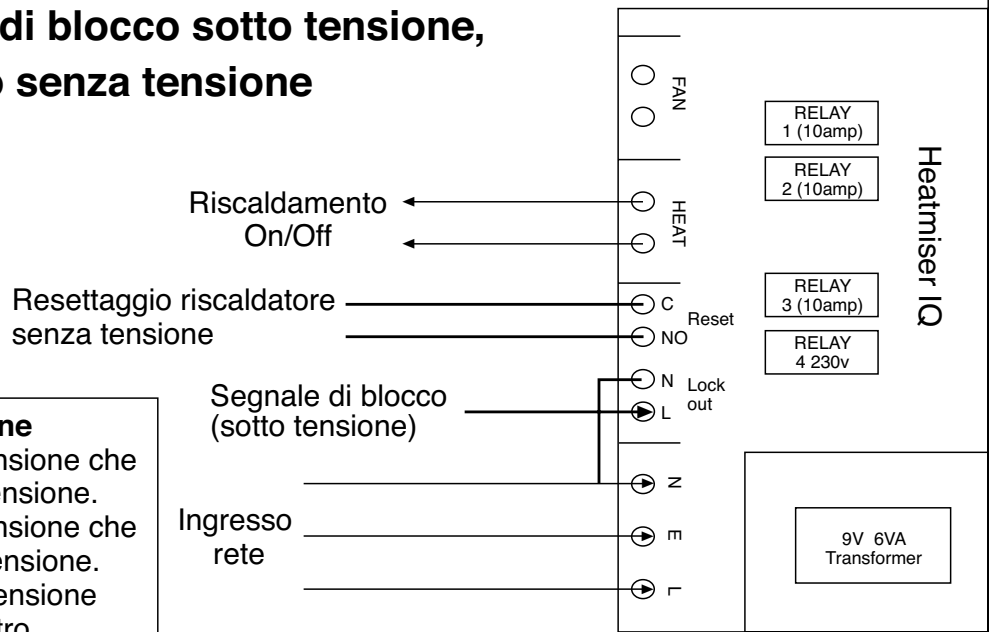
### TARATURA DEI FUSIBILI

F1 = 800mA AS

F2 = 500mA QB

## Heatmiser IQ

### Opzione 1. Segnale di blocco sotto tensione, resettaggio senza tensione



#### Opzioni a disposizione

1. Segnale di blocco sotto tensione che dà un resettaggio senza tensione.
2. Segnale di blocco sotto tensione che dà un resettaggio sotto tensione.
3. Segnale di blocco sotto tensione che dà un resettaggio neutro.
4. Segnale di blocco neutro che dà un resettaggio senza tensione.
5. Segnale di blocco neutro che dà un resettaggio sotto tensione.
6. Segnale di blocco neutro che dà un resettaggio neutro.

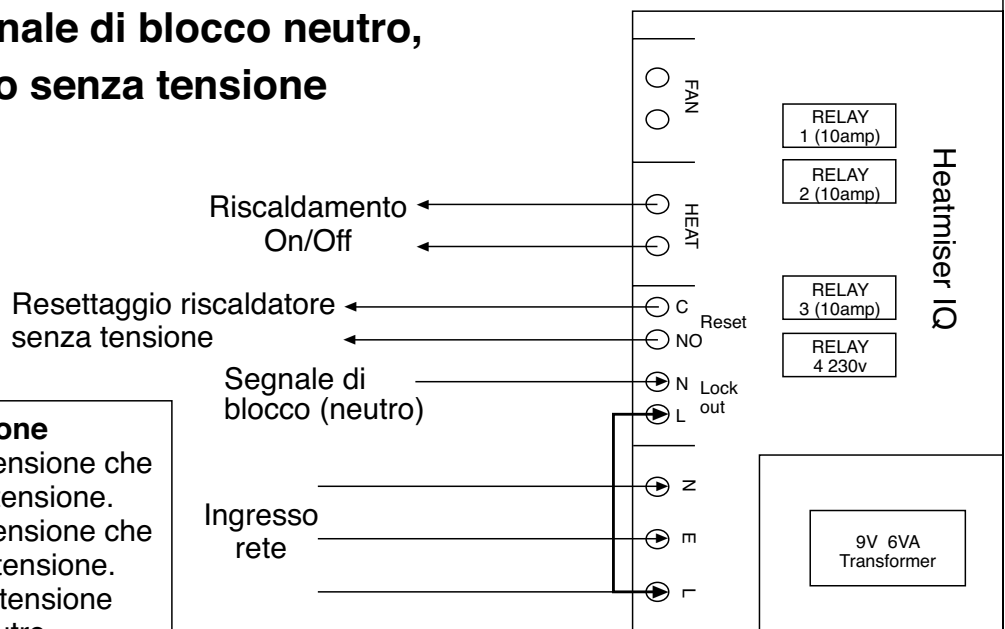
HEATMISER CONTROLS - HEATMISER IQ

Schema circuitale 200L  
con collegamenti senza tensione

Disegno n.  
E2L-003

## Heatmiser IQ

### Opzione 4. Segnale di blocco neutro, resettaggio senza tensione



#### Opzioni a disposizione

1. Segnale di blocco sotto tensione che dà un resettaggio senza tensione.
2. Segnale di blocco sotto tensione che dà un resettaggio sotto tensione.
3. Segnale di blocco sotto tensione che dà un resettaggio neutro.
4. Segnale di blocco neutro che dà un resettaggio senza tensione.
5. Segnale di blocco neutro che dà un resettaggio sotto tensione.
6. Segnale di blocco neutro che dà un resettaggio neutro.

HEATMISER CONTROLS - HEATMISER IQ

Schema circuitale 200L  
con collegamenti senza tensione

Disegno n.  
E2L-003

# INSTRUCTIONS À L'INTENTION DE L'UTILISATEUR



## INDEX

SUJET	Page no
<b>Table des matières</b> .....	23
<b>Option langue</b> .....	24
<b>Termes standards</b> .....	24
<b>Mode MARCHÉ normal</b>	
Neutralisation.....	25
Mode été .....	25
Blocage de l'appareil de chauffage & réinitialisation	27
Ventilateur été .....	26
<b>Mode Programme</b>	
Réglage de la température .....	26
Réglage des données.....	26
Réglage de l'heure .....	27
Réglage des codes .....	28
<b>Technique</b>	
Neutralisation (maximum).....	29
Configuration de l'optimisation.....	29
Réglage des codes .....	29
Calibrage .....	30
Réinitialisation .....	30
Mode de service.....	30
Alarme de service activé .....	30
Réinitialisation de l'alarme de service .....	31
Ventilateur constant.....	31
Caractéristiques / Valeur nominale des fusibles .....	31
Schémas de câblage .....	32

Pour sélectionner la langue requise, appuyez sur PROG et entrez le code 2305 puis appuyez sur Entrée. Sélectionnez ensuite la langue souhaitée à partir de la sélection.

---

### TERMES STANDARDS

**Optimisation d'auto-apprentissage** - un système par lequel le contrôle du Heatmiser calculera automatiquement l'heure de démarrage pour s'assurer que le bâtiment est à la bonne température à l'heure de commutation programmée. Il effectue ceci en contrôlant les valeurs de température interne afin que, par exemple, dans des conditions tempérées, les temps de préchauffage soient réduits – réalisant ainsi une économie d'énergie.

Le **Préchauffage** est le nombre d'heures pendant lesquelles le contrôle peut s'allumer avant l'heure de commutation programmée (lorsque la machine est en mode d'optimisation). Ceci est réglé au-dessous du code ingénieur et peut être réglé à un maximum de 8 heures.

Le **Taux de changement** est la durée nécessaire pour élever la température du bâtiment d'1.0°C. La valeur par défaut pour ce réglage est de 20 minutes mais le contrôle ajustera cette valeur automatiquement en fonction de l'environnement.

**Neutralisation:** l'utilisation du bouton de neutralisation sur le clavier du Heatmiser permet à l'utilisateur d'ignorer les pré-réglages de la zone pour un nombre d'heures donné, afin de permettre une utilisation non programmée du système. Une valeur maximum peut être entrée afin d'empêcher les utilisateurs d'entrer des périodes de neutralisation trop longues.

#### **État des périodes de commutation:**

- 1 Jour** est lorsque le contrôle est réglé à une période de commutation spécifique. (Par exemple entre 07h00 et 08h00, le contrôle sera dans une condition de JOUR. En dehors de ces heures, le contrôle sera en condition NUIT).
- 2 Nuit** est lorsque aucune période de commutation n'a été programmée. Dans ce cas-là, le contrôle est alors ramené à la température nocturne.

Le **Blocage de l'appareil de chauffage & Réinitialisation** est une fonction standard du Heatmiser IQ et permet d'envoyer un signal au Heatmiser à partir de l'appareil de chauffage lorsque celui-ci se bloque (surchauffe, etc.). Une fois que la panne de l'appareil de chauffage a été rectifiée, un signal de réinitialisation pourra être envoyé à l'appareil de chauffage pour une réinitialisation de l'état de blocage.

Le **mode MARCHE normal** est lorsque le contrôle opère normalement et qu'il n'est pas programmé (c'est-à-dire indiquant l'Heure/Jour sur l'écran d'informations). Il est important de garder à l'esprit que lorsque des modifications ont été apportées au programme du Heatmiser, il suffit d'appuyer sur le bouton MARCHE pour revenir au contrôle en mode MARCHE.

---

### MODE NORMAL

Il y a un écran de mode normal (MARCHE) et un écran Info sur le Heatmiser IQ. Ces deux écrans sont expliqués ci-dessous:

**L'écran de mode normal (MARCHE)** affiche des informations telles que l'Heure actuelle, la Température actuelle et l'État des relais

LUN 13:06 20.0C État: CHAUF ÉTEINT
---------------------------------------

**L'écran d'information** affiche la température cible ainsi que la période de commutation

TEMP CIBLE: 21.0C HORLOGE: JOUR
------------------------------------

Pour afficher l'écran d'Informations, appuyez sur INFO puis sélectionnez 1 pour la fonction Informations.



Il est possible de faire passer le Heatmiser IQ en une condition de jour ou de nuit afin de réaliser une opération non programmée du système. Le temps maximum pendant lequel l'unité peut être neutralisée aura été réglé par l'utilisateur.

### Pour programmer une période de neutralisation

- À partir du mode normal MARCHÉ  
Appuyez sur le bouton Neutralisation et entrez votre code de sécurité si nécessaire
- Choisissez ensuite 1) pour entrer dans le mode de neutralisation
- Sélectionnez ensuite 1 ou 2 pour mettre la neutralisation de la zone sur ALLM (1) ou ÉTNT (2)
- Vous devrez alors entrer la durée de la période de neutralisation
- Si la zone est au-dessus de la température, le contrôle affichera l'écran suivant. Rappelez-vous que la fonction de Neutralisation ne neutralise que la durée, pas la température. Ce message d'erreur apparaîtra également si la durée de neutralisation programmée dépasse le réglage maximum sélectionné.
- L'écran d'état indique alors que la zone a été placée dans une condition de neutralisation

LUN 13:06 20.0C  
HORLOGE: JOUR

1 > MOD NEUTRAL  
2 > MODE ETE

NEUTRAL. A  
1 > ALLM ou 2 > ETNT

REGL. NEUTRALIS  
MAXIMUM (04): **02**

\*\* ATTENTION \*\*  
DONNÉES INVALIDES

Lun 13:06 20.0C  
État: NEUTRALISATION



Pour annuler une période de neutralisation, répétez les étapes ci-dessus, choisissant 2 pour ARRÊT et réduisant la durée de la période de neutralisation à 00

## MODE ÉTÉ

Pour activer la fonction du Mode Été, appuyez sur le bouton Neutralisation/Été et sélectionnez 2 pour Été.

1 > **MODE NEUTRALISATION**  
2 > **MODE ÉTÉ**

Le contrôle passe alors en mode Été, ce qui signifie que la température est contrôlée par le réglage de Diminution Nocturne.

Pour annuler, répétez l'opération ci-dessus.

## BLOCAGE DE L'APPAREIL DE CHAUFFAGE/RÉINITIALISATION

Une alimentation peut être secteur sous tension peut être câblée au Heatmiser à partir de la connexion de blocage de l'appareil de chauffage afin de permettre une indication à distance d'une panne. Une fois que la panne a été rectifiée sur l'appareil de chauffage, le fait d'appuyer sur la touche Réinitialisation du clavier enverra un signal de réinitialisation à l'appareil de chauffage pour supprimer la condition de blocage.

Cette fonction est extrêmement utile pour les appareils de chauffage installés dans des lieux difficilement accessibles.

### RÉINITIALISATION DE L'APPAREIL DE CHAUFFAGE (Pas d'indication de blocage)

Sur les appareils de chauffage n'ayant pas la fonction de blocage à distance, le heatmiser peut être utilisé pour envoyer un signal de réinitialisation à distance.

Pour envoyer une réinitialisation dans ce cas.  
Appuyez sur le bouton RESET (Réinitialisation).  
Appuyez sur 2 pour RESET

1 > INFORMATION  
2 > BLOC.REINIT

Le relais Reset sera activé pendant une seconde.

Lorsque les appareils de chauffage sont équipés de la fonction de ventilateur été, le Heatmiser peut activer le ventilateur afin d'offrir une ventilation pendant les mois d'été.

- Appuyer sur la touche VNT (Ventilateur) affiche l'écran suivant.

VENT ALLM  
ENTRER POUR CONF



Pour désactiver le ventilateur, répétez l'opération ci-dessus

### MODE PROGRAMME

À partir de l'écran du mode normal (MARCHE), appuyer sur le bouton PROG affichera l'écran suivant:

\*\* ATTENTION \*\*  
CODE D'ENTRÉE: ????

Avant de pouvoir accéder au Heatmiser, vous devez entrer le mot de passe. Celui-ci est réglé en usine à 0000 comme code par défaut mais il peut être modifié à tout moment par l'utilisateur pour garantir la sécurité. Ce processus est expliqué à la section 4 (Code).

### **1) TEMP**

ceci est le menu DONNÉES

Cette section est utilisée pour changer les réglages de température

1 > **TEMP**      2 > DONN  
3 > HEURE      4 > CODE

Appuyer sur 1 pour TEMP affiche l'écran suivant:

- Vous devez à présent entrer la température requise pour les périodes de JOUR. (Par ex. 22.0). Ceci doit être entré sous la forme de trois chiffres
- Lorsque vous avez terminé, appuyez sur Entrée.
- Vous êtes à présent en mesure de sélectionner si vous souhaitez une Protection anti-gel ou non. Sélectionner ÉTEINT vous ramène au menu DONNÉES
- Sélectionner ALLUMÉ vous permet de sélectionner une température de diminution NUIT
- Appuyez sur Entrée lorsque vous avez sélectionné la température nocturne requise, puis appuyez sur MARCHE pour revenir au mode normal MARCHE.

RÉGL PÉRIODE JOUR  
TEMP: **22.0 C**

PROTECT ANTI-GEL  
1 > ALLM    2 > ETNT

RÉGL PÉRIODE NUIT  
TEMP: 05.0 C

### **2) DONNÉES**

La section DONNÉES est la section où vous pourrez régler les périodes de commutation quotidiennes. Trois périodes par jour sont possibles.

- Appuyez sur PROG et entrez le code de sécurité
- Sélectionnez ensuite 2 pour entrer dans le menu DONNÉES

1 > TEMP      2 > **DONN**  
3 > HEURE    4 > CODE

Vous pouvez à présent voir sur l'écran qu'il est requis d'entrer la période de commutation 1 pour lundi. Donc, avec une notation sur 24h, entrez l'Heure de Départ requise, par ex. 08:00.

PÉRIODE LUN: 1  
**D:HH:MM** F:HH:MM

Entrez maintenant l'heure de départ et déplacez le curseur sur le réglage d'heure de fin.

Nous pouvons programmer l'Heure de Fin, par exemple 17:00. N'oubliez pas d'entrer l'heure en utilisant le système 24h. Lorsque vous avez terminé, appuyez sur Entrée pour accepter la période de commutation programmée et pour passer à la Période 2 du lundi.

PÉRIODE LUN: 1  
D:HH:MM F:HH:MM

### Programmation d'autres périodes

Vous pouvez maintenant programmer la Période 2 du lundi de la même manière. Appuyez sur Entrée lorsque vous avez terminé.

PÉRIODE LUN: 2  
1) D:21:00 F:23:00

Si vous n'avez pas besoin des trois périodes de commutation – laissez les heures tel quel, c'est-à-dire HH:MM et cette période sera ignorée.

PÉRIODE LUN: 3  
1) D:HH:MM F:HH:MM

À ce stade, appuyez sur la touche Entrée pour passer aux périodes de commutation du mardi.

Vous pouvez entrer les périodes de commutation pour le mardi exactement de la même manière.

PÉRIODE MAR: 1  
1) D:HH:MM F:HH:MM

Si les périodes de commutation sont les mêmes le mardi, vous pouvez appuyer sur la touche COPIE et ceci copiera toutes les périodes de commutation du jour précédent. Donc, par exemple, si vous appuyez sur la touche COPIE lorsque vous vous trouvez sur la période 1 du mardi, toutes les périodes de commutation du lundi seront copiées, et le Heatmiser passera alors au mercredi.

Un écran similaire à celui-ci est affiché:

COPIE DES DONNEES  
LUN to MAR

! Pour corriger toute erreur, utilisez la touche EFF. Si vous appuyez sur Entrée, les réglages affichés sur cet écran seront sauvegardés.

## 3) HEURE

Ceci est la section utilisée pour entrer la date et l'heure.

- Appuyez sur PROG et entrez le code de sécurité
- Sélectionnez ensuite l'option 3 pour l'Heure
- L'heure actuellement réglée est affichée à l'écran, ainsi qu'une invite demandant la nouvelle . Entrez simplement la nouvelle heure en vous rappelant qu'il faut utiliser une notation sur 24h. (Par ex. 14:23)
- Le Heatmiser IQ n'ayant pas de calendrier, le **jour** actuel doit maintenant être réglé. Donc, si par exemple aujourd'hui nous sommes mercredi, **appuyez sur 3**.
- Le contrôle reviendra alors au menu DONNÉES
- Appuyez sur MARCHÉ pour retourner au menu MARCHÉ normal, vous verrez que le jour et l'heure actuels sont maintenant affichés.

HEUR ACT: 14:23  
NOUV HRE.: HH:MM

REGL JOUR SEMNE  
1 = LUN == > 7 = DIN

## 4) CODE

- Appuyez sur PROG et entrez le code de sécurité
- Appuyer sur 4 pour le Code vous demandera de sélectionner le code que vous souhaitez modifier.

1 > Code Directeur – Ce code donne accès à tous les réglages des données

CODE DIRECT  
CODE OPERAT

2 > Code Opérateur – Ce code donne accès aux fonctions Neutralisation et Été

- Pour changer le code, entrez simplement le nouveau code à l'invite

CODE ACT.: 0000  
NOUV CODE: ????

- Appuyez sur MARCHE pour revenir au mode MARCHE normal

**!** Le réglage identique des Codes Directeur et Opérations  
aura pour effet de désactiver le code Opérateur  
(c'est-à-dire qu'aucun code ne sera requis pour accéder à la section des opérateurs)

Pour entrer dans la section Ingénieurs, appuyez sur le bouton Programme et entrez le code Ingénieurs. (Ce code se trouvera sur une étiquette placée sur le devant ou au dos du clavier. Cette étiquette devra être retirée après la mise en service de l'instrument.

Un affichage similaire à celui-ci sera maintenant affiché

1 > NEUT	2 > OPTI
CODE	3 > REGL

## 1) NEUTRAL

Cette section permet d'entrer une limite pour la neutralisation

REGL. NEUTRALIS MAXIMUM (HRS): 03
--------------------------------------

Entrez deux chiffres (par ex. 08 pour 8h) puis appuyez sur Entrée pour accepter le réglage.

## 2) OPTI

Avec le Heatmiser IQ, vous pouvez régler si une optimisation est requise (Référez-vous aux **Termes** pour plus d'informations)

Si vous souhaitez une optimisation, sélectionnez 1 pour allumer puis continuez pour régler les paramètres suivants

OPTIMISATION? 1 > ALLM OU ETNT
-----------------------------------

Si vous sélectionnez de l'éteindre, vous reviendrez au menu de réglage et ceci annulera l'optimisation. Ceci signifie que le contrôle allumera le chauffage aux heures de commutation programmées et ne prendra pas de périodes de préchauffage en compte.

Ceci est le temps requis par le système de chauffage pour élever la température du bâtiment de 1.0°C. Un point de départ moyen serait de 20 minutes mais l'unité étant capable d'auto-apprentissage, elle se modifiera automatiquement d'une minute par jour de manière à s'ajuster au réglage correct.

TAUX CHANGEMENT MINUTES /°C: 20
------------------------------------

Ceci est le nombre d'heures maximum précédant le temps de commutation de l'unité pendant lesquelles l'unité peut s'allumer pour préchauffer le bâtiment à la température correcte. Le réglage maximum est de 8 heures, mais un réglage moyen est de 3 heures.

REGL PRECHAUF MAXIMUM (HRS): 02
------------------------------------

## 3) CODE

La section Code fonctionnera normalement et est utilisée pour régler le code de l'utilisateur.

## 4) RÉGLAGE

Cette section nous permet de calibrer le capteur et également de réinitialiser le contrôle aux réglages par défaut de l'usine.

1 > APPL	2 > RÉINT
3 > SERVICE	4 > VNT.C

## **CALIBRAGE**

Sélectionner 1 pour le Calibrage permet à l'ingénieur de calibrer le capteur si nécessaire

Pour calibrer le capteur, entrez simplement la température actuelle que vous avez enregistrée dans la zone. Assurez-vous de relever la température près du Heatmiser

ACTUELLE: 22.0  
EXACT: XX.X

- Appuyez sur MARCHE pour retourner au mode MARCHE normal
- La température sera alors affichée sur l'écran

---

## **RÉINITIALISATION**

Cette fonction réinitialise les réglages du Heatmiser IQ aux valeurs par défaut de l'usine.

Pour réinitialiser le contrôle:

- Appuyez sur PROG et entrez le code Ingénieurs
- Sélectionnez la touche 4 pour le Réglage et l'écran ci-contre apparaîtra
- Appuyez sur 2 pour la Réinitialisation
- Appuyer sur ENTRÉE à ce stade effacera toutes les données. Pour annuler, appuyez sur la touche EFFACE

1 > APPL    2 > RÉINT  
3 > SERVICE    4 > VNT.C

RÉINIT TOUTES DONNÉES  
ENTREZ POUR CONFIRMER

---

## **MODE DE SERVICE**

- Entrez le code ingénieur et appuyez sur 3 pour le service.
- Vous avez à présent le choix entre:  
1 > Configurer le mode de service ou  
2 > Réinitialiser le total actuel d'heures de fonctionnement sauvegardé dans l'unité.
- Appuyer sur 1, pour configurer l'unité, affichera l'écran suivant et vous demandera de mettre le mode de service sur Allumé ou Éteint.
- Vous devez à présent entrer le nombre d'heures pendant lesquelles le système pourra fonctionner avant que l'alarme de service ne soit activée. Appuyez sur Entrée pour accepter le réglage programmé.
- Vous devrez ensuite entrer le numéro de téléphone que vous souhaitez voir affiché lorsqu'une alarme de service est activée.

1 > APPL    2 > RÉINT  
3 > SERVICE    4 > VNT.C

1 > CONFIGURATION  
2 > REINIT DONNEES

MODE SERVICE  
1 > ALM ou 2 > ÉTN

MODE SERVICE  
HRS FONCT: 0000

MODE SERVICE  
APPL: 000000000

---

## **ALARME DE SERVICE ACTIVÉE**

Lorsqu'une alarme de service a été activée, un écran d'avertissement sera affiché pendant 5 secondes toutes les minutes. Vous pourrez annuler cet avertissement en appuyant sur la touche RÉINIT lorsque l'avertissement s'affiche à l'écran.

Rappelez-vous que vous ne recevrez pas d'alarmes de service supplémentaires jusqu'au moment où la commande a été réinitialisée par un ingénieur.

Après qu'une alarme de service a été activée, vous pourrez réinitialiser le réglage des heures sans avoir à reprogrammer le numéro de téléphone en sélectionnant Réinit à partir de l'écran Configuration/Réinit.

### VENTILATEUR CONSTANT

Sur le modèle Heatmiser IQ il existe l'option d'avoir une sortie de Ventilateur constant. S'il est activé, le relais ventilateur sera constamment en marche pendant les périodes de commutation programmées et fonctionnera conformément au réglage de l'optimisateur.

- Pour activer la fonction de ventilateur constant, entrez le code ingénieur et appuyez sur 4 pour effectuer le réglage.
- Appuyez ensuite sur 4 pour obtenir VNT.C (Ventilateur constant) et sélectionnez 1 pour la mise en marche (ALLM).
- Ceci activera la fonction de ventilateur constant.
- Sélectionnez 2 pour désactiver cette fonction.

1 > APPL	2 > RÉINT
3 > SERVICE	4 > VNT.C

VNT CONSTANT?
ALLM OU 2 > ETNT

### CARACTÉRISTIQUES

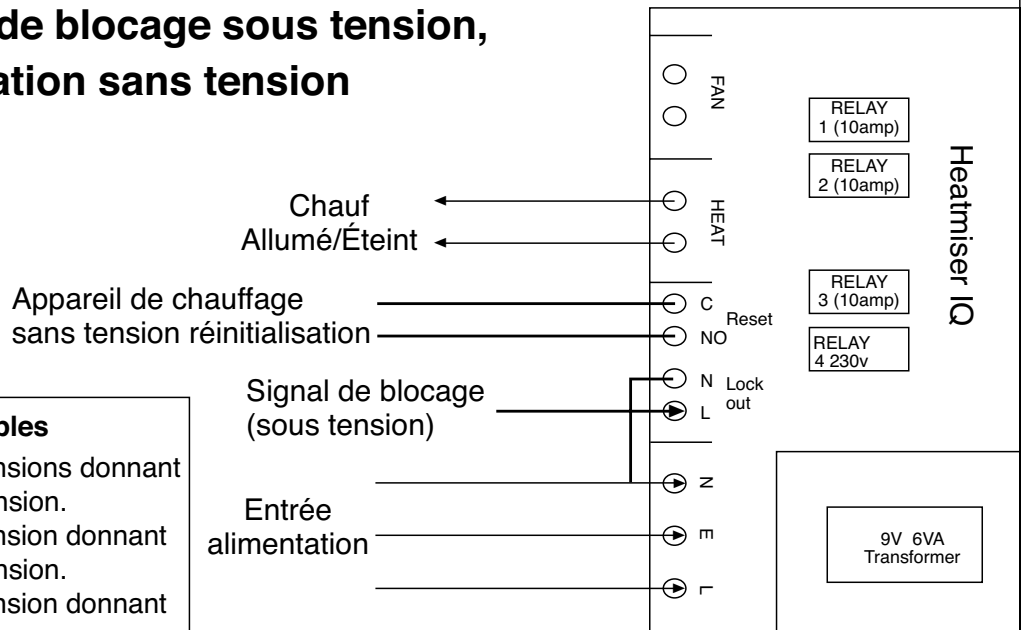
<b>Zones</b>	1 zone de contrôle
<b>Base hor.</b>	1 base horaire peut être programmée avec un maximum de trois périodes de commutation par jour, 7 jours par semaine
<b>Sorties</b>	IQ = trois contacts de travail unipolaires (résistif 230V CA 10 ampères)
<b>Type capteur</b>	Capteur intégré uniquement
<b>Vie de la pile</b>	3 ans
Alimentation: Sortie relais:	230V ± 10% 50Hz
Contacts de travail:	Valeur nominale max. 230V CA, 10 Ampères, résistifs
Dimensions: Poids: Boîtier:	158mm x 62mm x 199 mm 0,85kg
ABS	Conçu pour satisfaire la réglementation IEE

### VALEUR NOMINALE DES FUSIBLES

F1 = 800ma AS  
F2 = 500ma QB

## Heatmiser IQ

### Option 1. Signal de blocage sous tension, réinitialisation sans tension



#### Options disponibles

1. Signal de blocage sous tensions donnant une réinitialisation sans tension.
2. Signal de blocage sous tension donnant une réinitialisation sous tension.
3. Signal de blocage sous tension donnant une réinitialisation neutre.
4. Signal de blocage neutre donnant une réinitialisation sans tension.
5. Signal de blocage neutre donnant une réinitialisations sous tension.
6. Signal de blocage neutre donnant une réinitialisation neutre.

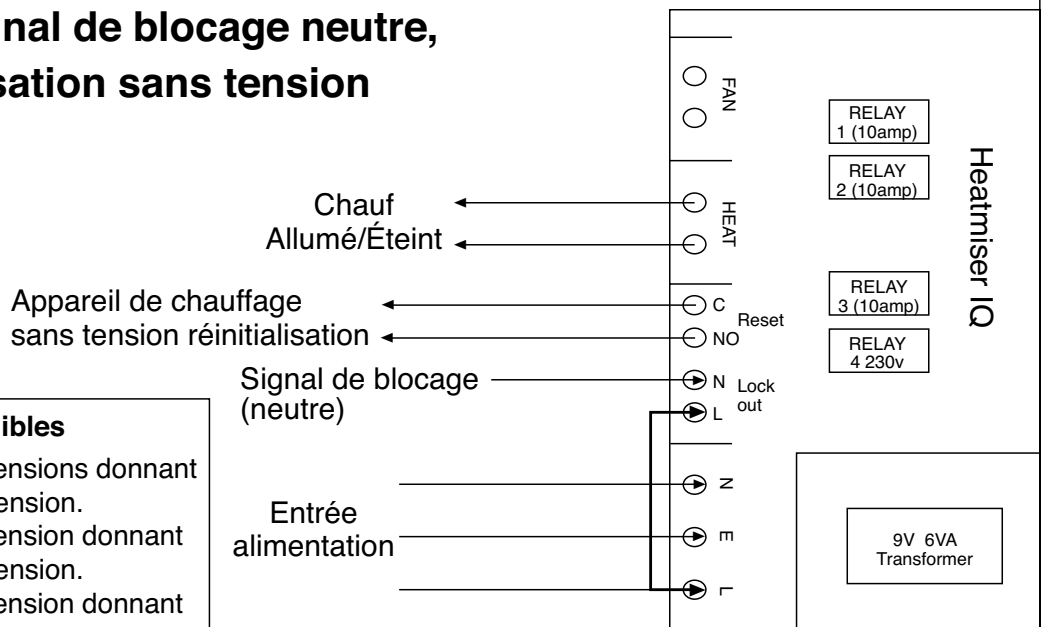
HEATMISER CONTROLS - HEATMISER IQ

2000L - VF Schéma de câblage

Schéma n. E2L-003

## Heatmiser IQ

### Option 4. Signal de blocage neutre, réinitialisation sans tension



#### Options disponibles

1. Signal de blocage sous tensions donnant une réinitialisation sans tension.
2. Signal de blocage sous tension donnant une réinitialisation sous tension.
3. Signal de blocage sous tension donnant une réinitialisation neutre.
4. Signal de blocage neutre donnant une réinitialisation sans tension.
5. Signal de blocage neutre donnant une réinitialisations sous tension.
6. Signal de blocage neutre donnant une réinitialisation neutre.

HEATMISER CONTROLS - HEATMISER IQ

2000L - VF Schéma de câblage

Schema n. E2L-003



# GEBRAUCHSANLEITUNG FÜR BENUTZER

DE

## INHALTSVERZEICHNIS

INHALT	SEITE NR.
<b>Inhaltsverzeichnis</b> .....	33
<b>Sprachoption</b> .....	34
<b>Grundbegriffe</b> .....	34
<b>Normalbetriebsmodus</b> .....	34
• Manueller Eingriff (Override).....	35
• Sommerbetrieb.....	35
• Heizkörper-Abstell- und –Rückstell-Funktion.....	35
• Sommerventilator.....	36
<b>Programmier-Modus</b>	
• Einstellung der Temperatur .....	36
• Einstellung der Schaltzeiten .....	36
• Einstellung des Datums und der Uhrzeit.....	37
• Einstellung des Codes.....	38
<b>Vom Techniker vorzunehmende Einstellungen</b>	
• Manueller Eingriff (Override – Maximum) .....	39
• Konfiguration der Optimierung .....	39
• Einstellung des Codes.....	39
• Justierung.....	40
• Rückstellung (Reset).....	40
• Wartungsmodus .....	40
• Nach Auslösung eines Wartungsalarms.....	40
• Zurückstellen des Wartungsalarms.....	41
• Dauerventilator .....	41
• Spezifikation und Sicherungsbemessung.....	41
• Verdrahtungspläne.....	42

Um die gewünschte Sprache anzuwählen, drücken Sie PROG, geben Sie dann den Code 2305 ein und drücken Sie ENTER.

Wählen Sie dann die gewünschte Sprache aus dem Auswahlménü aus.

---

## GRUNDBEGRIFFE

**Selbstlernende Optimierung** ist ein System, bei dem der Heatmiser-Regler die Startzeit automatisch berechnet, um sicherzustellen, dass das Gebäude zum eingestellten Schaltzeitpunkt die richtige Temperatur erreicht. Dies wird durch die Auswertung von Innentemperatur-Messwerten erzielt, sodass beispielsweise bei milderer Witterung die Aufheizzeiten verkürzt werden, wodurch Energie eingespart wird.

**Vorheizzeit** ist die Anzahl der Stunden, die der Regler sich vor dem einprogrammierten Schaltzeitpunkt einschalten kann (solange er sich im Optimierungsmodus befindet). Zu ihrer Einstellung wird der Techniker-Kode benötigt, und sie kann auf höchstens 8 Stunden gestellt werden.

**Änderungsgeschwindigkeit** ist die Zeit, die dazu benötigt wird, die Gebäudetemperatur um 1.0°C zu erhöhen. Die Werkseinstellung hierfür ist 20 Minuten, aber der Regler wird dies automatisch den baulichen Gegebenheiten des Gebäudes anpassen.

**Manueller Eingriff (Override):** Die Benutzung der OVERRIDE-Taste auf dem Heatmiser-Tastenfeld erlaubt dem Benutzer, die Zone für eine ausgewählte Zahl von Stunden manuell zu verändern, um das System auch außerplanmäßig einsetzen zu können. Es kann eine Höchstdauer eingegeben werden, die verhindern soll, dass Benutzer lange Zeiträume manuell verändern.

### **Schaltzeitraum-Status:**

- **Tag** ist, wenn der Regler auf einen tatsächlichen Schaltzeitpunkt eingestellt wird. (Zwischen 07.00 und 08.00 könnte der Regler beispielsweise in der Stellung „Tag“ sein. Außerhalb dieser Stunden wäre er dann in der Stellung „Nacht“.)
- **Nacht** ist, wenn keine Schaltzeitpunkte einprogrammiert sind. Zu diesen Zeiten stellt sich der Regler auf die Nachttemperatur zurück (Nachtabsenkung).

Eine **Heizkörper-Abstell- und Rückstellfunktion** wird beim Heatmiser IQ serienmäßig mitgeliefert und ermöglicht, dass vom Heizkörper ein Signal an den Heatmiser gesendet wird, sobald sich der Heizkörper abstellt (z.B. wegen Überhitzung). Sobald der Fehler am betreffenden Heizkörper behoben ist, kann ein Rückstell-Signal an den Heizkörper gesendet werden, das den Abgestellt“-Status zurückstellt.

**Normalbetriebsmodus** ist, wenn der Regler normal läuft und gerade nicht programmiert wird (d.h. Uhrzeit/Tag oder die Info-Anzeige sichtbar ist). Bitte denken Sie stets daran, dass nach der Veränderung von Heatmiser-Programmeinstellungen die RUN-Taste gedrückt werden muss, damit der Regler zum Betriebsmodus (RUN) zurückkehrt.

---

## NORMALBETRIEBSMODUS

Der Heatmiser IQ verfügt über eine Hauptanzeige für den Normalbetriebsmodus (RUN), und eine Info-Anzeige. Diese werden im Folgenden erklärt:

### **Die Normalbetriebsmodus-Anzeige (RUN)**

*gibt Informationen wie die aktuelle Uhrzeit, die derzeitige Temperatur und den Relais-Status.*

Mon 13:06 20.0°C STATUS: HEIZ AUS
--------------------------------------

### **Die Info-Anzeige**

*gibt die Solltemperatur und den Schaltzeitraum an.*

SOLLTEMP : 21.0°C ZEIT MODUS: TAG
--------------------------------------

Um zur Info-Anzeige zu gelangen, drücken Sie INFO und wählen dann 1 für Info.

## MANUELLER EINGRIFF (OVERRIDE)

Der Heatmiser IQ kann manuell in die Tag- oder Nacht-Stellung umgeschaltet werden, um das System auch außerplanmäßig einsetzen zu können. Die Höchstdauer, für die das Gerät manuell umgeschaltet werden kann, ist zuvor durch den Techniker, der das System installiert hat, eingestellt worden.

### Zur Programmierung eines Eingriffszeitraums

- Aus dem Normalbetriebsmodus (RUN):  
Drücken Sie die OVERRIDE-Taste und geben Sie Ihren Bedienercode ein, wenn Sie hierzu aufgefordert werden.
- Wählen Sie dann 1, um in den Eingriffsmodus zu gelangen.
- Wählen Sie dann 1 oder 2, um in die Phase „an“ oder „aus“ (2) manuell einzugreifen.
- Nun werden Sie aufgefordert, die Dauer des Eingriffszeitraums einzugeben.
- Sollte die Zone über der richtigen Temperatur sein, so wird der Regler die nachfolgende Anzeige aufweisen. Bitte beachten Sie, dass über die Eingriffsfunktion nur die Zeit, nicht jedoch eine Temperatur abgeändert werden kann. Diese Fehlermeldung erscheint auch dann, wenn die eingegebene Eingriffsdauer die festgelegte Höchsteingriffsdauer überschreitet.
- Aus der Status-Anzeige wird dann ersichtlich, dass die Zone in einen Eingriffszustand versetzt worden ist.

Mon 13:06 20.0°C  
ZEIT MODUS: TAG

1 > EINGRIFFSMODUS  
2 > SOMMERBETRIEB

(1) **EINGRIFF IN**  
1 > AN OD. 2 > AUS

MAXIM. EINGRIFF  
DAUER (04) :

\*\* WARNUNG \*\*  
DATEN UNGÜLTIG!

Mon 13:06 20.0°C  
Status: EINGRIFF

Um eine Eingriffszeitraum zu löschen, wiederholen Sie die obigen Schritte, wobei 2 für „aus“ zu wählen ist, und die Dauer des Eingriffszeitraums dann auf 00 zu reduzieren ist.

## SOMMERBETRIEB

Um den Sommerbetrieb einzuschalten, drücken Sie die Eingriff/Sommer-Taste und wählen Sie 2 für „Sommer“.

1 > **EINGRIFFSMODUS**  
2 > SOMMERBETRIEB

Der Regler wird dadurch in den Sommerbetrieb versetzt, was bedeutet, dass die Temperatur auf die Nachtabsenkungseinstellung gebracht wird.

Zum Löschen obigen Vorgang wiederholen.

## HEIZKÖRPER-ABSTELL- UND RÜCKSTELL-FUNKTION

Es kann vom Heizkörper-Abstell-Anschluss eine Versorgungsleitung zum Heatmiser gelegt werden, was die Fernanzeige von Fehlern ermöglicht. Sobald der Fehler am betreffenden Heizkörper behoben ist, wird durch Drücken von RESET auf dem Tastenfeld ein Signal an den Heizkörper gesendet, um den „Abgestellt“-Status aufzuheben.

Diese Funktion ist sehr nützlich, wenn sich die Heizkörper außer Reichweite befinden.

## HEIZKÖRPER-RÜCKSTELLFUNKTION (ohne Abgestellt-Anzeige)

Bei Heizkörper, die nicht über eine Fernabstimmung verfügen, kann der Heatmiser eingesetzt werden, um ein Fern-Rückstellsignal zu senden.

Um in diesem Fall ein Rückstellsignal zu senden:  
Drücken Sie die RESET-Taste  
Drücken Sie 2 für RESET

1 > INFORMATION  
2 > ABSTELL RESET

Das Rückstell-Relais wird für eine Sekunde erregt.

Sofern die installierten Heizungen mit einer Sommer-Ventilator-Funktion ausgestattet sind, kann der Heatmiser den Ventilator in die Lage versetzen, in den Sommermonaten die Räume zu belüften.

- Nach Drücken der FAN-Taste erscheint folgende Anzeige:
- Jetzt muss ENTER gedrückt werden, oder alternativ, falls sie den Vorgang abbrechen möchten, die DEL-Taste.

VENTILATOR AN?  
MIT ENTER BESTÄT

! Um den Ventilator abzuschalten, wiederholen Sie den obigen Vorgang.

## PROGRAMMIER-MODUS

Nach Drücken der PROG-Taste bei Normalbetrieb-Anzeige (RUN) erscheint folgende Anzeige:

\*\*WARNUNG\*\*  
ZUGANGSKODE: ????

Um Zugang zum Heatmiser zu bekommen, müssen sie Ihren Bedienercode eingeben. Dieser Code ist werksseitig auf 0000 eingestellt, kann aber zur Aufrechterhaltung der Sicherheit jederzeit durch den Benutzer verändert werden. Dieser Vorgang wird in Abschnitt 4 (Kode) erklärt.

### 1) TEMP

Dies ist das Datenmenü (DATA)

Dieser Bereich dient dazu, die Temperatureinstellungen zu verändern.

1 > TEMP    2 > DATA  
3 > ZEIT    4 > KODE

Durch das Drücken von 1 für TEMP erscheint Folgendes auf der Anzeige:

- Sie werden jetzt aufgefordert, die gewünschte Temperatur für die Tageszeiträume (TAG) einzugeben (z.B. 22.0). Diese muss als dreistellige Zahl eingegeben werden.

ZEITRAUM TAG  
TEMP: **22.0 C**

- Nach Beendigung ENTER drücken.

• Sie können nun eingeben, ob Sie Frostschutz benötigen. Wenn Sie „aus“ wählen, kommen Sie zum Datenmenü zurück.

FROSTSCHUTZ  
1 > AN OD 2 > AUS

- Wenn Sie ON wählen, können Sie eine Nachtabsenkungstemperatur eingeben.

ZEITRAUM NACHT  
TEMP: 05.0 C

- Nach Eingabe der gewünschten Nachttemperatur drücken Sie zuerst ENTER und dann RUN, um zum Normalbetriebsmodus (RUN) zurückzukehren.

### 2) DATA

Im DATA-Bereich können Sie die täglichen Schaltzeiträume festlegen. Es stehen 3 Zeiträume pro Tag zur Verfügung.

- Drücken Sie PROG und geben den Bedienercode ein.
- Wählen Sie nun 2, um in das Datenmenü (DATA) zu gelangen.

1 > TEMP    2 > **DATA**  
3 > ZEIT    4 > KODE

Sie können jetzt auf der Anzeige erkennen, dass Sie aufgefordert werden, den Schaltzeitraum 1 für Montag einzugeben. Geben Sie deshalb, unter Verwendung der 24-Stunden-Schreibweise, die gewünschte Startzeit (z.B. 08:00 für 8.00 Uhr) ein.

Mon ZEITR. :1  
**S:HH:MM**    E:HH:MM

Drücken Sie jetzt ENTER, um die Startzeit zu bestätigen, und den Cursor auf die Endzeit-Einstellung zu bewegen.

Sie können die gewünschte Endzeit eingeben, z.B. 17:00 für 17.00 Uhr. Bitte denken Sie daran, stets die 24-Stunden-Schreibweise zu verwenden. Nach Beendigung ENTER drücken, um die programmierte Schaltzeit zu bestätigen und zum Zeitraum 2 des Montages weiterzurücken.

Mon ZEITR.: 1  
S:HH:MM E:HH:MM

### Eingabe weiterer Zeiträume

Sie können nun den Zeitraum 2 für Montag in genau der gleichen Weise eingeben. Drücken Sie ENTER, wenn Sie fertig sind.

Mon ZEITR. : 2  
1) S:21:00 E:23:00

Wenn Sie nicht alle 3 Schaltzeiträume benötigen, so lassen Sie die Zeiten einfach auf „HH:MM“ stehen, und sie werden dann vom System ignoriert.

Mon ZEITR. : 3  
1) S:HH:MM E:HH:MM

Drücken Sie jetzt die ENTER-Taste, um zu den Schaltperioden des Dienstag weiterzurücken.

Sie können jetzt die Schaltperioden des Dienstag in genau der gleichen Weise eingeben.

Die ZEITR : 1  
1) S:HH:MM E:HH:MM

Sollten die Schaltperioden am Dienstag die gleichen sein, so können Sie die COPY-Taste drücken und dadurch werden alle Schaltzeiten vom vorherigen Tag übernommen. Wenn sie zum Beispiel die COPY-Taste im Zeitraum 1 des Dienstag drücken würden, so würden alle Schaltzeiten des Montag übernommen, und der Heatmiser würde auf Mittwoch vorrücken.

Die Anzeige sieht dann ungefähr so aus:

KOPIE ALLE DATEN  
Mon auf Die

**!** Benutzen Sie die DEL-Taste, um fehlerhafte Eingaben zu korrigieren. Allgemein gilt, dass wenn bei einer Anzeige ENTER gedrückt wird, die derzeitigen Einstellungen beibehalten werden.

### 3) ZEIT

In diesem Bereich wird das Einstellen des derzeitigen Datums und der aktuellen Uhrzeit erklärt.

- Drücken Sie PROG und geben Sie den Sicherheitscode ein.
- Wählen Sie dann Option 3 für Uhrzeit.
- Die derzeit eingestellte Zeit erscheint auf der Anzeige, mit einer Aufforderung, die neue Zeit einzugeben. Geben Sie einfach die neue Zeit ein, und denken Sie daran, die 24-Stunden-Schreibweise zu verwenden (z.B. 14:23 für 14.23 Uhr).
- Da der Heatmiser IQ über keinen Kalender verfügt, muss jetzt der derzeitige **Wochentag** eingegeben werden. Wenn heute z.B. Mittwoch ist, so muss 3 gedrückt werden.
- Die Steuerung springt dann auf das Datenmenü (DATA) zurück.
- Drücken Sie RUN, um zum Normalbetriebsmodus (RUN) zurückzukehren. Sie werden dann sehen, dass die korrekte Uhrzeit und Datum eingestellt sind.

ZEIT NUN: 13:23  
ZEIT NEU: HH:MM

WOCHENTAG EING  
1 = Mon = > 7 = **Son**

## 4) KODE

- Drücken Sie PROG und geben Sie den Bedienercode ein.
- nach Drücken von 4 für KODE werden Sie aufgefordert, den Code, den Sie ändern möchten, anzuwählen.

- 1 > Managercode – Dieser Code gibt Zugriff auf alle Dateneinstellungen.
- 2 > Bedienercode - Dieser Code gibt Zugriff auf die Eingriffs- und Sommerbetrieb-Funktionen.

1 > MANAGERKODE  
2 > BEDIENERKODE

- Um den Code zu verändern, geben Sie einfach den neuen Code ein, wenn Sie dazu aufgefordert werden.

KODE NUN: 0000  
KODE NEU: ????

- Drücken sie RUN, um zum Normalbetriebsmodus zurückzukehren.



Wenn Sie für den Manager- und Bedienercode die gleichen Zahlen eingeben, so wird der Bedienercode außer Betrieb gesetzt (d.h. kein Code wird mehr benötigt, um auf den Bedienerbereich zuzugreifen).

Um in den Technikerbereich zu gelangen, drücken Sie die PROG-Taste und geben Sie den Techniker-Kode ein (Dieser befindet sich auf einem Etikett, das auf der Frontabdeckung oder auf der Tastatur-Rückseite klebt. Dieses Etikett sollte entfernt werden, nachdem der Regler in Betrieb genommen wurde.)

Jetzt wird eine Anzeige wie die Nebenstehende gezeigt.

1 > EING	2 > OPTI
3 > KODE	4 > SETUP

## 1) EING

In diesem Bereich haben Sie die Möglichkeit, eine Höchstdauer für den manuellen Eingriff festzulegen.

MAXIM. EINGRIFF DAUER (STD): 08
------------------------------------

Geben Sie zwei Ziffern ein (z.B. 08 für 8 Stunden) und drücken Sie auf ENTER, um die Einstellung zu bestätigen.

## 2) OPTI

Beim Heatmiser IQ können Sie einstellen, ob eine Optimierung benötigt wird. (Weitere Informationen hierzu finden Sie unter **Grundbegriffe**).

Sollten Sie eine Optimierung wünschen, so wählen Sie 1 für „an“ und fahren Sie dann mit der Einstellung der folgenden Parameter fort.

OPTIMIERUNG? 1 > AN OD 2 > AUS
-----------------------------------

Wenn Sie „aus“ wählen, kommen Sie zum Setup-Menü zurück und die Optimierung ist abgeschaltet. Dies bedeutet, dass der Regler die Heizung zum eingegebenen Schaltzeitpunkt einschaltet, und dass es keine Aufwärmphase geben wird.

Dies ist die Zeitdauer, die das Heizungssystem braucht, um die Gebäudetemperatur um 1.0°C zu erwärmen. Eine anfängliche Durchschnittszeit wäre 20 Minuten, aber da das Gerät selbstlernend ist, wird es sie täglich um 1 Minute verändern, bis sie an der korrekten Einstellung angelangt ist.

ÄNDERUNGSGESCHW. MINUTEN /°C : 20
--------------------------------------

Dies ist die Höchstzahl von Stunden vor dem eingegebenen Schaltzeitpunkt, die das Gerät an sein kann, um das Gebäude auf die Temperatur zu bringen. Die höchste einstellbare Stundenzahl ist 8, wobei der Durchschnittswert jedoch 3 Stunden ist.

VORHEIZZEIT EIN MAXIMUM (STD): 03
--------------------------------------

## 3) KODE

Der Kode-Bereich funktioniert ganz normal und dient dazu, den Bedienerkode einzugeben.

## 4) SETUP

Dieser Bereich ermöglicht uns, den Sensor zu justieren und den Regler auf die Werkseinstellung zurückzustellen.

1 > CAL	2 > RESET
3 > WARTUNG	4 > D.VEN

Der Techniker kann dadurch, dass er 1 für „Justierung“ wählt, erforderlichenfalls den Sensor justieren.

- Um den Sensor zu justieren, geben Sie einfach die tatsächliche Temperatur, die Sie in der Zone gemessen haben, ein. Stellen Sie sicher, dass Sie die Temperaturmessung in der unmittelbaren Umgebung des Heatmiser-Reglers vornehmen.

DERZEIT: 22.0  
TATSÄCH: XX.X °C

- Drücken Sie RUN, um zum normalen Betriebsmodus zurückzukehren.
- Die Temperatur erscheint dann auf der Anzeige.

---

## RÜCKSTELLFUNKTION (RESET)

Diese Funktion stellt die Einstellungen des Heatmiser IQ auf die Werkseinstellungen zurück.

- Um den Regler zurückzustellen, drücken Sie PROG und geben dann den Techniker-Kode ein. Wählen Sie dann 4 für „Setup“, woraufhin dann folgende Anzeige erscheint.
- 2 für Rückstellfunktion (Reset) drücken
- Wird jetzt ENTER gedrückt, dann werden alle Daten gelöscht. Um den Vorgang abzubrechen, drücken Sie die DEL-Taste.

1 > JUSTIERUNG  
2 > RESET DATEN

RESET ALLE DATEN?  
MIT ENTER BESTÄT

---

## WARTUNGSMODUS

- Geben Sie den Techniker-Kode ein und drücken Sie 3 für "Wartung".
- Es werden Ihnen dann folgende Optionen vorgeschlagen:  
1 > Service-Modus konfigurieren, oder  
2 > Derzeitige im Gerät gespeicherte Gesamtlaufstundenzahl zurückstellen.
- Wenn Sie 1 drücken, um das Gerät zu konfigurieren, wird auf dem Bildschirm das Folgende dargestellt und Sie werden aufgefordert, den Service-Modus entweder an- oder auszuschalten.
- Hier werden sie aufgefordert, die Anzahl der Stunden, die das System betrieben werden kann, bevor sich der Wartungsalarm einschaltet, einzugeben. Drücken Sie auf ENTER, um die programmierte Einstellung anzunehmen.
- Geben Sie jetzt die vollständige Telefonnummer ein, die angezeigt werden soll, wenn ein Wartungsalarm ausgelöst wird.

1 > CAL            2 > RESET  
3 > WARTUNG      4 > D.VEN

1 > KONFIGURATION  
2 > RESET DATEN

SERVICE MODE  
1 > AN oder 2 > AUS

WARTUNGSMODUS  
BETR.STD : 0000

SERVICE MODE  
TEL.: 000000000

---

## NACH AUSLÖSUNG EINES WARTUNGSLARMS

Nach Auslösung eines Wartungsalarms wird jede Minute für 5 Sekunden eine Warnmeldung gezeigt. Sie können diese Warnmeldung löschen, indem Sie RESET drücken, während die Warnmeldung auf dem Bildschirm sichtbar ist.

Denken Sie daran, dass Sie solange keine weiteren Wartungsalarm-Meldungen erhalten, bis der Regler von einem Techniker zurückgestellt worden ist.



Nachdem ein Wartungsalarm ausgelöst wurde, können Sie die Zeiteinstellung neu einstellen, ohne dass Sie die Telefonnummer wieder neu eingeben müssen, indem Sie aus der Konfiguration/Reset-Anzeige RESET auswählen.

## **DAUERVERTILATOR** *(nur bei bestimmten Modellen)*

Beim Heatmiser IQ besteht die Option einer Dauerventilator-Funktion. Wenn diese eingeschaltet ist, dann steht das Ventilator-Relais während der einprogrammierten Schaltzeiten dauerhaft auf "an", und läuft dann gemäß Optimierer-Einstellung.

- Um den Dauerventilator einzuschalten, geben Sie den Techniker-Kode ein und drücken Sie 4 für "Setup".
- Drücken Sie dann 4 für "D.VEN" und wählen Sie 1 für "an". Dies schaltet die Dauerventilator-Einrichtung ein.
- Wählen Sie 2, um diese Funktion wieder auszuschalten.

1 > CAL	2 > RESET
3 > WARTUNG	4 > D.VEN

DAUERVERTILATOR	
1 > AN	2 > AUS

## **SPEZIFIKATION**

<b>Zonen:</b>	1 Regelzone
<b>Zeitbasen:</b>	1 Zeitbasis, kann mit maximal 3 Schaltzeiträumen pro Tag programmiert werden, 7 Tage pro Woche.
<b>Ausgänge:</b>	IQ: 3 einpolige Arbeitskontakte (10 A 230 V Wechselstrom, mit Widerstand)
<b>Sensor-Typ:</b>	nur eingebauter Sensor
<b>Netzausfallschutz:</b>	3 Jahre
<b>Stromversorgung:</b>	230 V $\pm$ 10% 50 Hz
<b>Relais-Ausgang:</b>	Arbeitskontakte Maximale Bemessung 10 A 230 V Wechselstrom, mit Widerstand
<b>Abmessungen:</b>	158 mm x 62 mm x 199 mm
<b>Gewicht:</b>	0,85 kg
<b>Gehäuse:</b>	Acrylnitril-Butadien-Styrol (ABS) In Übereinstimmung mit den Vorschriften der IEE (Institution of Electrical Engineers) konstruiert.

## **SICHERUNGSBEMESSUNG**

- F1 (Sicherung 1) = 800 mA träge Sicherung (Anti-Surge)
- F2 (Sicherung 2) = 500 mA flinke Sicherung (Quick-Blow)

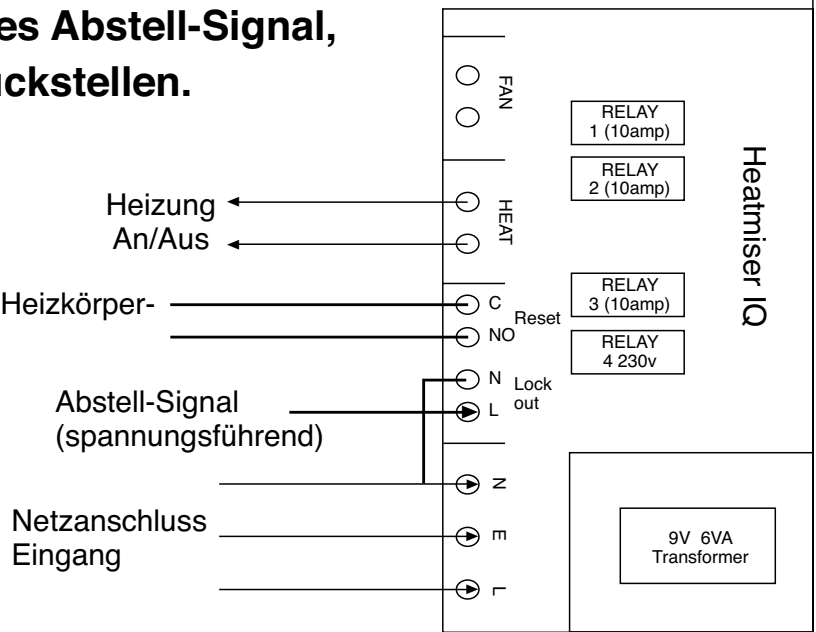
## Heatmiser IQ

### Option 1. Spannungsführendes Abstell-Signal, spannungsfreies Zurückstellen.

N = Nullleiter  
E = Erdung  
L = spannungsführender Leiter

#### Lieferbare Optionen:

1. Spannungsführendes Abstell-Signal zum spannungsfreien Zurückstellen.
2. Spannungsführendes Abstell-Signal zum spannungsführenden Zurückstellen.
3. Spannungsführendes Abstell-Signal zum neutralen Zurückstellen.
4. Neutrales Abstell-Signal zum spannungsfreien Zurückstellen.
5. Neutrales Abstell-Signal zum spannungsführenden Zurückstellen.
6. Neutrales Abstell-Signal zum neutralen Zurückstellen.



HEATMISER CONTROLS - HEATMISER IQ	
2000L - VF Verdrahtungsplan	Zeichnung Nr. E2L-003

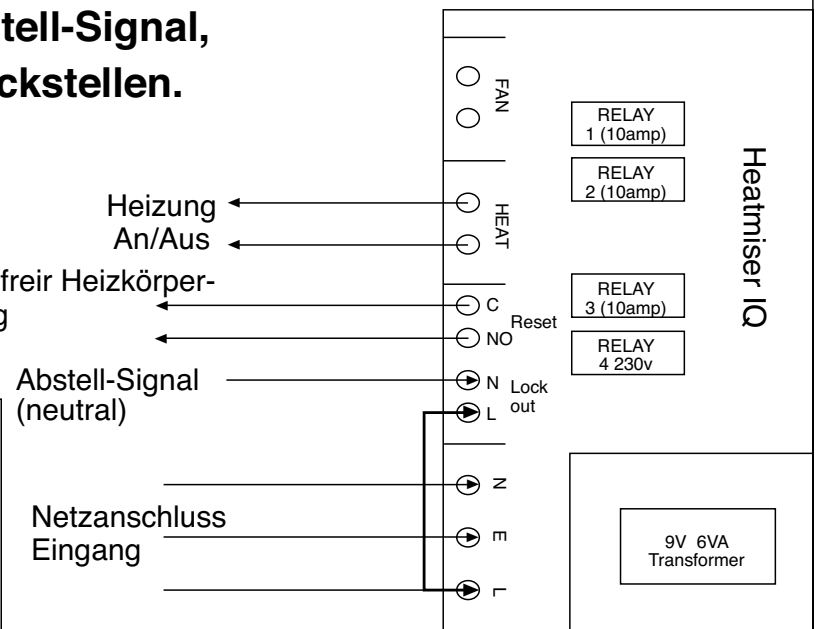
## Heatmiser IQ

### Option 4. Neutrales Abstell-Signal, spannungsfreies Zurückstellen.

N = Nullleiter  
E = Erdung  
L = spannungsführender Leiter

#### Lieferbare Optionen:

1. Spannungsführendes Abstell-Signal zum spannungsfreien Zurückstellen.
2. Spannungsführendes Abstell-Signal zum spannungsführenden Zurückstellen.
3. Spannungsführendes Abstell-Signal zum neutralen Zurückstellen.
4. Neutrales Abstell-Signal zum spannungsfreien Zurückstellen.
5. Neutrales Abstell-Signal zum spannungsführenden Zurückstellen.
6. Neutrales Abstell-Signal zum neutralen Zurückstellen.



HEATMISER CONTROLS - HEATMISER IQ	
2000L - VF-Verdrahtungsplan	Zeichnung Nr. E2L-003

## INHOUD

ONDERWERP	BLZ.
<b>Inhoud</b> .....	43
<b>Taalkeuze</b> .....	44
<b>Algemene termen</b> .....	44
<b><u>Normale werking</u></b>	
• Instelling tijdelijk opheffen .....	45
• Zomerprogramma .....	45
• Blokkering en reset .....	45
• Ventilator zomer .....	46
<b><u>Programmeren</u></b>	
• Temperatuur instellen .....	46
• Data instellen .....	46
• Tijd instellen .....	47
• Code instellen .....	48
<b><u>Technische gegevens</u></b>	
• Instelling tijdelijk opheffen (maximaal) .....	49
• Optimalisatie .....	49
• Code instellen .....	49
• IJken .....	50
• Reset .....	50
• Serviceprogramma .....	50
• Service alarm geactiveerd.....	50
• Service alarm resetten .....	51
• Constante ventilator .....	51
• Specificatie/Zekering .....	51
• Bedradingschema's .....	52

Om de gewenste taal te selecteren drukt u op PROG, voert u code 2305 in en drukt u op ENTER. Kies vervolgens de gewenste taal.

## **ALGEMENE TERMEN**

“**Zelflerende optimalisatie**” houdt in dat de Heatmiser zelf automatisch de begintijd berekent om te verzekeren dat het gebouw de gewenste temperatuur heeft voor de geprogrammeerde schakeltijd. Dit gebeurt aan de hand van interne temperatuurcontroles. Hierdoor worden de verwarmingstijden bijv. bij zachter weer verkort en wordt er dus energie bespaard.

**Voorverwarming** houdt het aantal uur in dat het systeem wordt aangezet voordat de geprogrammeerde tijd aanbreekt (bij optimalisatie). Deze periode wordt ingesteld via de code voor techniciën en hiervoor geldt maximaal 8 uur.

**De verandersnelheid** houdt de tijd in die nodig is om de temperatuur in het gebouw 1.0°C te laten stijgen. De tijd die in de fabriek hiervoor is ingesteld bedraagt 20 minuten maar de verwarming zal zich automatisch aanpassen aan de materialen van het gebouw.

**Instelling tijdelijk opheffen:** Met de functie voor tijdelijk opheffen op de Heatmiser kan de gebruiker de instelling voor een zone voor een bepaald aantal uren tijdelijk opheffen, om van de geprogrammeerde instelling van het systeem af te wijken. Een maximum kan worden ingesteld om ervoor te zorgen dat gebruikers hier geen overdreven lange periodes voor invoeren.

### **Status schakelperiode:**

- **Dag** houdt in dat de verwarming op een bepaalde schakeltijd is ingesteld. (Bijv. tussen 07.00 en 08.00 staat de verwarming op DAG. Buiten deze periode op NACHT).
- **Nacht** houdt in dat er geen schakeltijden zijn geprogrammeerd. Op deze tijden wordt de verwarming teruggezet op de nachttemperatuur.

De Heatmiser IQ is standaard uitgerust met een functie **blokkering & reset** waardoor bij een blokkering (oververhitting, enz.) automatisch een signaal van de verwarming naar de Heatmiser wordt gestuurd. Zodra de fout is verholpen wordt een resetsignaal naar de verwarming gestuurd om de blokkering op te heffen.

**Normale werking** houdt in dat de verwarming normaal functioneert en het programma voor programmeren niet actief is (op het display wordt de tijd/dag aangegeven). Niet vergeten om na veranderingen in de instelling van de Heatmiser te hebben aangebracht op RUN te drukken om naar normale werking terug te keren.

## **NORMALE WERKING**

Op de Heatmiser IQ vindt u een hoofddisplay voor RUN (normale werking) en een informatiedisplay. Deze zijn hieronder uitgelegd:

### **Het display voor RUN (normale werking)**

*geeft informatie aan als huidige tijd, huidige temperatuur en de relaisstatus.*

Ma 13:06 20.0 C Status: VERW UIT
-------------------------------------

### **Het informatiedisplay**

*geeft de doelt temperatuur aan en de schakelperiode.*

DOELTEMP: 21.0 C TIJD KLOK: DAG
------------------------------------

Voor het informatiedisplay drukt u op INFO en vervolgens op 1 voor informatie

## TIJDELIJK OPHEFFEN

U kunt de instelling van de Heatmiser IQ tijdelijk opheffen en op dag of nacht zetten om van de instelling van het systeem af te wijken. De maximale tijd waarvoor van de instelling van het systeem kan worden afgeweken is door de installateur ingesteld.

### **Om de periode in te stellen waarvoor van de instelling wordt afgeweken**

- Vanaf RUN (normale werking). Druk op tijdelijk opheffen en voer zonodig de veiligheidscode in.
- Druk op 1) voor tijdelijk opheffen.
- Druk op 1 of 2 om de instelling voor de zone tijdelijk op te heffen: AAN (1) of UIT (2).
- U wordt nu gevraagd de lengte van de periode in te voeren.
- Als de temperatuur voor de zone hoger ligt dan de bedoeling is, wordt het volgende op het display aangegeven. Met tijdelijk opheffen kan alleen de periode worden veranderd maar niet de temperatuur. Deze foutboodschap wordt ook aangegeven als een te lange opheffingstijd wordt ingevoerd.
- Het display met de status geeft vervolgens aan voor welke zone de tijdelijke opheffing geldt.

Ma 13:06 20.0 C  
TIJD KLOK: DAG

1 > **T OPHEFFEN**  
2 > ZOMERPROGRAMMA

TIJDELIJK OPHEFFEN NU  
1 > AAN of 2 > UIT

T OPHEF INSTELLI  
MAXIMUM (UUR): **02**

T OPHEF INSTELLI  
ONGELDIGE DATA

Ma 13:06 20.0 C  
Status: T OPHEFF

! Om een opheffingsperiode te annuleren herhaalt u de stappen van hierboven en drukt u op 2 voor UIT en vervolgens voert u 00. in om de lengte van de opheffingsperiode te verkorten.

## ZOMERPROGRAMMA

Om het zomerprogramma in te stellen drukt u op tijdelijk opheffen/zomerprogramma en vervolgens op 2 voor zomer.

1 > **T OPHEFFEN**  
2 > ZOMERPROGRAMMA

Het systeem staat nu op het zomerprogramma wat inhoudt dat de verwarming op de nachttemperatuur wordt teruggezet.

Om deze functie te annuleren herhaalt u de stappen van hierboven.

## BLOKKERING/RESET

Op de Heatmiser zit een blokkeringsaansluiting die op een voeding kan worden aangesloten om op afstand foutmeldingen te kunnen aangeven. Als de fout op de verwarming is verholpen, drukt u op RESET waardoor een resetsignaal naar de verwarming wordt gestuurd om de blokkering te resetten.

Deze functie is vooral handig voor systemen die buiten handbereik worden geïnstalleerd.

### RESET VAN DE VERWARMING (zonder aanduiding blokkering)

Bij systemen zonder blokkeringsfunctie op afstand, kan de Heatmiser worden gebruikt om op afstand een resetsignaal te versturen.

Voer de volgende handelingen uit om in een dergelijk geval een resetsignaal te versturen:

Druk op RESET.  
Druk op 2 voor RESET.

1 > INFORMATIE  
2 > RESET BLOKKER

Het resetrelais trekt een seconde ann.

Als de Heatmiser is uitgerust met deze functie, is het mogelijk de ventilator te gebruiken ter ventilatie tijdens de zomermaanden.

- Als u op VENT drukt, wordt het volgende op het display aangegeven.

VENTILATOR AAN?  
ENTER TER BEVEST

- U dient nu op ENTER te drukken of als u de handeling wilt staken, drukt u op DELETE.

! Om de ventilator te deactiveren, herhaalt u de stappen van hierboven.

### PROGRAMMEREN

Als u vanaf het display voor RUN (normale werking) op PROG drukt, wordt het volgende op het display aangegeven:

OPGELET  
TOEG CODE: ????

U moet eerst de code invoeren voordat u de Heatmiser kunt programmeren. In de fabriek is deze code standaard op 0000 ingesteld maar om veiligheidsredenen kan hij door de gebruiker op elk willekeurig moment worden veranderd. Dit proces is verder uitgelegd in onderdeel 4 (Code).

#### 1) TEMP

In dit onderdeel worden de temperatuurinstellingen veranderd.

##### Dit is het DATA-menu

1>TEMP 2>DATA  
3>TIJD 4>CODE

Als u op 1 drukt voor TEMP, wordt het volgende op het display aangegeven:

- U wordt nu gevraagd de gewenste dagtemperatuur in te voeren (bijv. 22.0). De temperatuur moet worden aangegeven met drie cijfers.

INST DAG PERIODE  
TEMP: **22.0 C**

- Druk vervolgens op ENTER.

- U kunt nu aangeven of u de anti-nachtvorstfunctie wilt aanzetten. Als u op UIT drukt, keert u terug naar het menu voor DATA.

ANTI-NACHTVORST  
1>AAN OF 2>UIT

- Als u op AAN drukt, kunt u een lagere nachttemperatuur instellen.

INST NACHT PERIODE  
TEMP: 22.0 C

- Druk op ENTER als u de gewenste nachttemperatuur heeft ingesteld en druk vervolgens op RUN om terug te keren naar normale werking.

#### 2) DATA

In dit onderdeel worden de dagelijkse schakelperioden ingesteld. Per dag zijn er 3 periodes mogelijk.

- Druk op PROG en voer de veiligheidscode in.
- Druk nu op 2 om het DATA-menu in te voeren.

1>TEMP **2>DATA**  
3>TIJD 4>CODE

U wordt nu op het display gevraagd om schakelperiode 1 voor de maandag in te voeren. Voer nu de gewenste begintijd in, bijv. 08:00 (gebruik hiervoor de 24-urige klok).

MA PERIODE 1  
**B:UU:MM E:UU:MM**

Druk vervolgens op ENTER om de begintijd te valideren en stel vervolgens de eindtijd in, bijv. 17:00 (gebruik hiervoor de 24-urige klok).

Druk vervolgens op ENTER om de geprogrammeerde schakeltijd te valideren en ga verder met periode 2 voor de maandag.

MA PERIODE 1  
B:UU:MM E:UU:MM

### Andere periodes programmeren

U kunt nu op dezelfde manier periode 2 voor de maandag programmeren. Druk daarna op ENTER.

MA PERIODE 2  
B:UU:MM E:UU:MM

Als u niet alle drie de schakelperiodes wilt gebruiken, laat u de tijden gewoon op UU:MM staan en de periode(s) wordt (worden) genegeerd.

MA PERIODE 3  
B:UU:MM E:UU:MM

Druk nu op ENTER om de schakelperiodes voor de dinsdag te programmeren.

Voer hiervoor dezelfde handelingen uit als hierboven.

DI PERIODE 1  
B:UU:MM E:UU:MM

Als u voor de dinsdag dezelfde schakelperiodes wilt als voor de maandag, drukt u op COPY (kopiëren) om alle schakeltijden van de vorige dag te kopiëren. Als u bijv. bij periode 1 voor de maandag op COPY (kopiëren) drukt, worden alle schakeltijden van de maandag gekopieerd en kunt u met het programmeren van de woensdag beginnen.

Een dergelijk display wordt afgebeeld: . . .:

ALLE DATA KOPIER  
MA to DI

 Druk op DEL om eventuele fouten te corrigeren.  
Wanneer u op ENTER drukt, worden de huidige instellingen behouden.

### 3) TIJD

Met dit onderdeel kunt u de huidige tijd en dag instellen.

- Druk op PROG en voer de veiligheidscode in.
- Druk op 3 voor tijd.
- De tijd waarop het systeem momenteel als huidige tijd staat ingesteld wordt op het display aangegeven samen met een verzoek om de nieuwe tijd in te stellen. Voer de nieuwe tijd in, bijv. 14:23 (gebruik hiervoor de 24-urige klok).
- De Heatmiser IQ heeft geen kalender; de huidige **dag** moet dus worden ingesteld. **Druk bijv. op 3** als het vandaag woensdag is.
- Nu verschijnt het DATA-menu weer.
- Druk op RUN om naar normale werking terug te keren en u zult zien dat de juiste tijd en dag zijn ingesteld.

TIJD NU: 13:23  
NIEUWE T: **UU: MM**

DAG VD WEEK INST

#### 4) CODE

- Druk op PROG en voer de veiligheidscode in.
- Als u op 4 drukt voor code wordt u gevraagd de code te selecteren die u wilt veranderen.

1 > Code manager – Met deze code heeft u toegang tot alle data-instellingen.

2 > Code tijdelijk opheffen – Met deze code heeft u toegang tot de functies voor het tijdelijk opheffen van de instelling en tot het zomerprogramma.

1 > CODE MANAGER  
2 > CODE OPERATOR

- Om deze code te veranderen, voert u eenvoudigweg de nieuwe code in.

CODE NU: 0000  
NIEUWE CODE ????

- Druk op RUN (normale werking) om terug te keren naar normale werking.



Als u dezelfde code invult voor de manager  
als de operator, vervalt de code voor de operator  
(oftewel er is geen code nodig om toegang te verkrijgen tot de functies voor de operator)



Om de functies van de techniciën in te stellen, drukt u op PROG en voert u de code techniciën in. (Te vinden op een sticker op de voor- of achterkant van het toetsenbord. Verwijder de sticker nadat het systeem in gebruik is genomen.)

Het volgende display wordt nu aangegeven.

1 > TOP	2 > OPTI
3 > CODE	4 > OPZET

## 1) TIJDELIJK OPHEFFEN

Met dit onderdeel kan een limiet worden ingesteld voor de functie voor het tijdelijk instellen van de instelling.

T OPHEF INSTELLI MAXIMUM (UUR): 04
---------------------------------------

Voer twee cijfers in (bijv. 08, voor 8 uur) en druk op ENTER om de instelling te valideren.

## 2) OPTI

U kunt de Heatmiser IQ eventueel instellen op optimalisatie. (Zie **Algemene termen** voor informatie).

Druk op 1 voor AAN als u optimalisatie wilt gebruiken en ga verder met de volgende instellingen.

OPTIMALISATIE? 1 > AAN of 2 > UIT
--------------------------------------

Als u op UIT drukt, komt u terug op het menu voor opzet en staat optimalisatie uit. Dit houdt in dat de verwarming op de geprogrammeerde schakeltijd AAN wordt gezet zonder voorverwarming.

Voorverwarming is de tijd die de verwarming nodig heeft om de temperatuur in het gebouw met 1.0°C te laten stijgen. Een gemiddeld beginpunt zou 20 minuten zijn, maar aangezien het systeem "zelflerend" is, wordt deze tijd 1 minuut per dag veranderd om de juiste instelling te krijgen.

VERANDERSNELHEID MINUTEN /C :20
------------------------------------

Dit is het maximum aantal uren voor de ingevoerde schakeltijd waarvoor het toestel wordt aangezet om het gebouw op de gewenste temperatuur te krijgen. De maximale instelling hiervoor is 8 uur, hoewel 3 uur als gemiddelde geldt.

VOORVERW INSTELL MAXIMUM (UUR): 03
---------------------------------------

## 3) CODE

Het onderdeel voor code werkt gewoon en wordt gebruikt om de gebruikerscode in te stellen.

## 4) OPZET

Met dit onderdeel kunt u de sensor ijken en het toestel opnieuw op de fabriekswaarden instellen

1 > IJKEN	2 > RESET
3 > SERVICE	4 > CVENT

Als u op 1 drukt voor ijken (toegankelijk voor de techniciën), kunt u de sensor ijken.

- Om de sensor te ijken, voert u eenvoudigweg de werkelijke temperatuur in die u in de zone heeft opgenomen. Meet hiervoor de temperatuur vlak naast het regeltoestel van de Heatmiser.
- Druk op RUN om terug te keren naar normale werking.
- Vervolgens wordt de temperatuur weergegeven op het display.

HUIDIGE: 22.0 WERKELIJKE: XX.X
-----------------------------------

**RESET**

Met deze functie kunt u de instellingen van de Heatmiser IQ terugzetten op de fabriekswaarden.

Voer de volgende handelingen uit om het toestel te resetten:

- Druk op PROG en voer de code techniciën in
- Druk op 4 voor opzet
- Druk op 2 voor reset
- Als u op dit moment op ENTER drukt, worden alle data gewist. Druk op DELETE om de handeling af te breken.

1 > IJKEN    2 > RESET 3 > SERVICE   4 > CVENT
---

ALLE DATA RESETTEN ENTER TER BEVESTIGING
---

**SERVICEPROGRAMMA**

- Voer de code voor techniciën in en druk op 3 voor service.
- U wordt nu gevraagd om:
  - 1 > Het serviceprogramma te configureren of
  - 2 > Het totaal aantal uur in gebruik te resetten.
- Als u op 1 drukt om het systeem te configureren wordt het volgende display aangegeven en vervolgens wordt u gevraagd het serviceprogramma AAN of UIT te zetten.
- U dient nu het aantal uur in te voeren dat het systeem mag draaien voordat het service alarm moet worden geactiveerd. Druk op ENTER om de geprogrammeerde instelling te valideren.
- U dient nu het telefoonnummer in te voeren dat u op het display wilt zien als het service alarm wordt geactiveerd.

1 > IJKEN    2 > RESET 3 > SERVICE   4 > CVENT
---

1 > CONFIGURATIE 2 > DATA RESET
------------------------------------

SERVICEPROGRAMMA 1 > AAN of 2 > UIT
--

SERVICEPROGRAMMA UUR IN GEBRUIK: 0000
--

SERVICEPROGRAMMA BEL: 00000000
-----------------------------------

**SERVICE ALARM GEACTIVEERD**

Als een service alarm is geactiveerd wordt er iedere minuut 5 seconden een waarschuwing op het display aangegeven. U kunt deze waarschuwing annuleren door op RESET te drukken terwijl de waarschuwing op het display te zien is.

Het systeem moet eerst door een techniciën worden gereset voordat nieuwe service alarms kunnen worden geactiveerd.

Als een service alarm is geactiveerd kunt u het aantal uren resetten zonder dat u het telefoonnummer opnieuw hoeft in te voeren. Druk hiervoor op reset vanaf het display voor configuratie/reset.

### CONSTANTE VENTILATOR

Op de Heatmiser IQ heeft u een optie voor constante ventilator. Als deze functie aanstaat, is het ventilatorrelais tijdens de geprogrammeerde schakeltijden permanent AAN en wordt de instelling van de optimalisatie gevolgd.

- Om de constante ventilator te activeren voert u de code voor techniciën in en drukt u op 4 voor opzet.
- Druk op 4 voor constante ventilator en op 1 voor AAN. De functie constante ventilator is nu aan.
- Druk op 2 om de functie uit te zetten.

1 > IJKEN	2 > RESET
3 > SERVICE	4 > CVENT

CONSTANTE VENT?	
1 > AAN	OF 2 > UIT

### SPECIFICATIE

<b>Zones:</b>	1 regelzone
<b>Tijdzones:</b>	1 tijdzone kan worden ingesteld met maximaal 3 schakelperiodes per dag, 7 dagen per week.
<b>Vermogen:</b>	IQ = 3 eenpolige normaal open contacten (10 Amp 230V gelijkstroom met weerstand)
<b>Sensor type:</b>	Alleen ingebouwde sensor
<b>Reserve accu:</b>	3 jaar

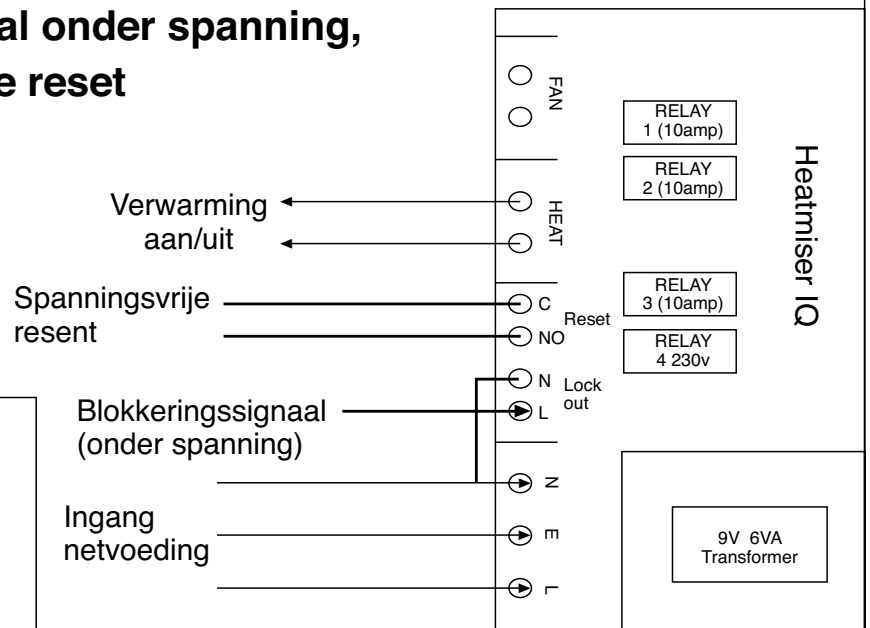
Voeding:	230±V ± 10 % 50 Hz
Vermogen relais:	Normaal open contacten met maximale waarden van 230 V gelijkstroom 10 Amp met weerstand
Afmetingen:	158 mm x 62 mm x 199 mm
Gewicht:	0,85 kg
Behuizing:	ABS Ontworpen conform IEE-voorschriften

### ZEKERING

F1 = 800 ma AS  
F2 = 500 ma QB

## Heatmiser IQ

### Optie 1. Blokkerings signaal onder spanning, spanningsvrije reset



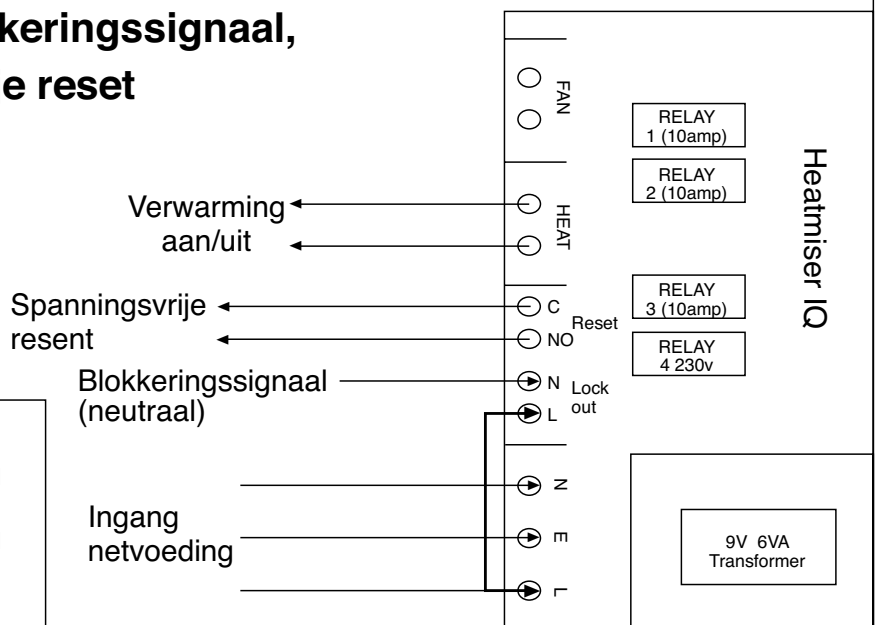
#### Options Available

1. Blokkerings signaal onder spanning met spanningsvrije reset.
2. Blokkerings signaal onder spanning met reset onder spanning.
3. Blokkerings signaal onder spanning met neutrale reset.
4. Neutraal blokkerings signaal met spanningsvrije reset.
5. Neutraal blokkerings signaal met reset onder spanning.
6. Neutraal blokkerings signaal met neutrale reset.

HEATMISER CONTROLS - HEATMISER IQ	
2000L - VF Bedradingsdiagram	Tekening nummer E2L-003

## Heatmiser IQ

### Optie 4. Neutraal blokkerings signaal, spanningsvrije reset



#### Options Available

1. Blokkerings signaal onder spanning met spanningsvrije reset.
2. Blokkerings signaal onder spanning met reset onder spanning.
3. Blokkerings signaal onder spanning met neutrale reset.
4. Neutraal blokkerings signaal met spanningsvrije reset.
5. Neutraal blokkerings signaal met reset onder spanning.
6. Neutraal blokkerings signaal met neutrale reset.

HEATMISER CONTROLS - HEATMISER IQ	
2000L - VF wiring diagram	Tekening nummer E2L-003